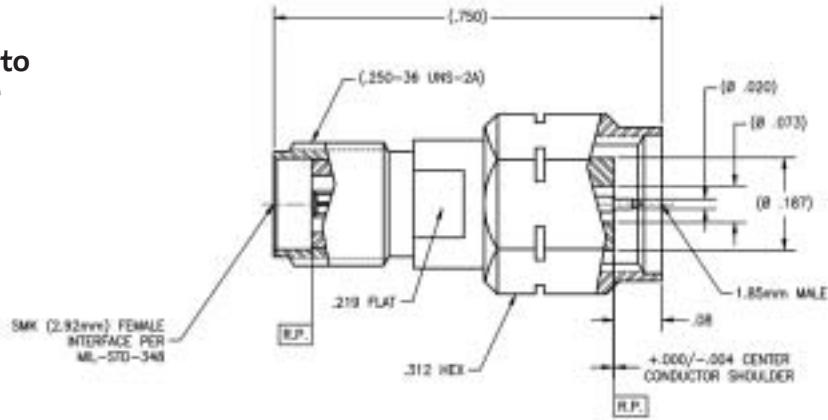


# 1.85mm Adapters

## V203-ICC

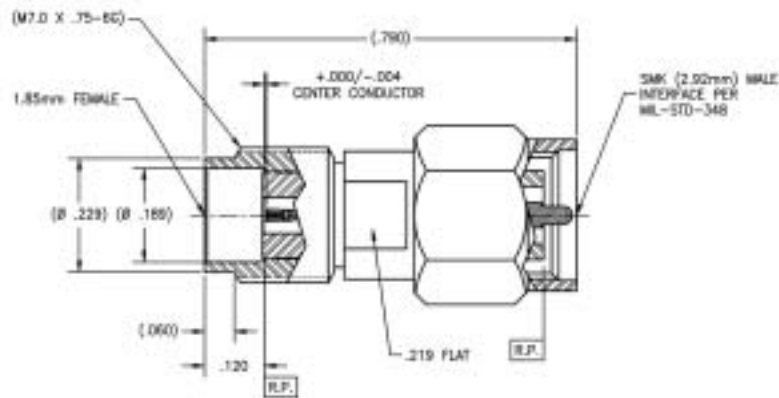
1.85mm male straight to SMK (2.92mm) female adapter



Center conductor is captivated.  
Standard units are gold finish.

## V204-ICC

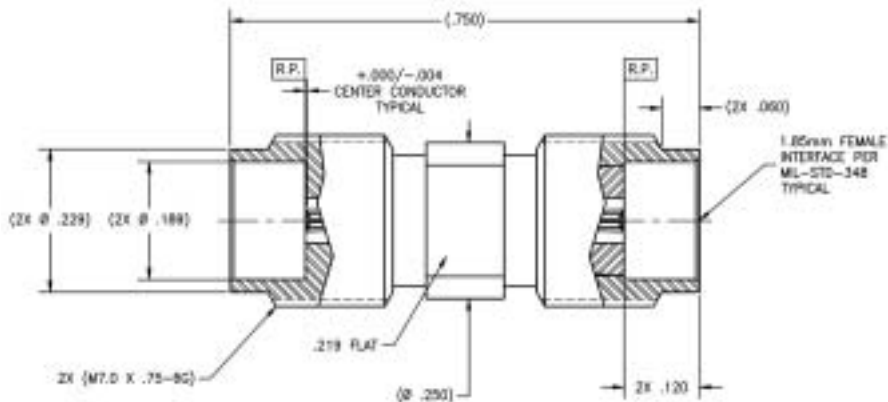
1.85mm female straight to SMK (2.92mm) male adapter



Center conductor is captivated.  
Standard units are gold finish.

## V205-ICC

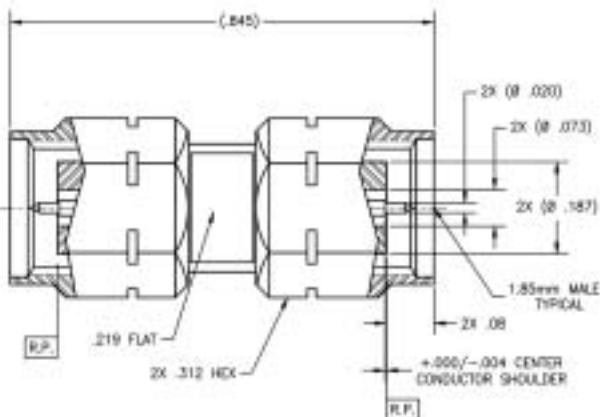
1.85mm female straight to 1.85mm female adapter



Center conductor is captivated.  
Standard units are gold finish.

## V206-ICC

1.85mm male straight to 1.85mm male adapter

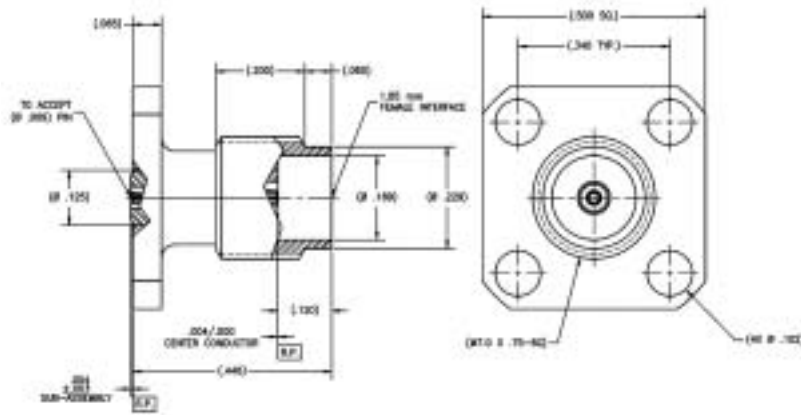


Center conductor is captivated.  
Standard units are gold finish.

# 1.85mm Field Replaceable

## V200-1CC

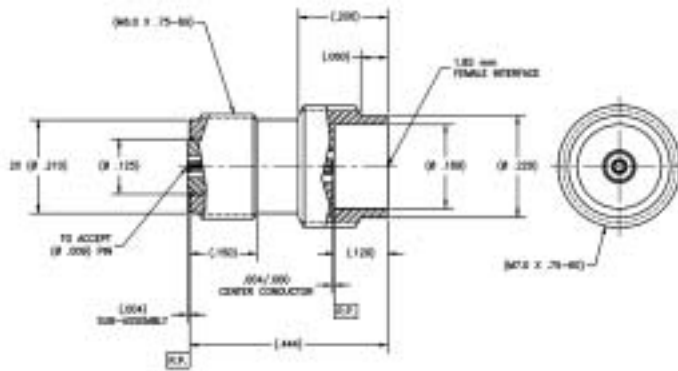
1.85mm female 4 hole flange mount field replaceable



Center conductor is captivated.  
Standard units are gold finish.

## V202-1CC

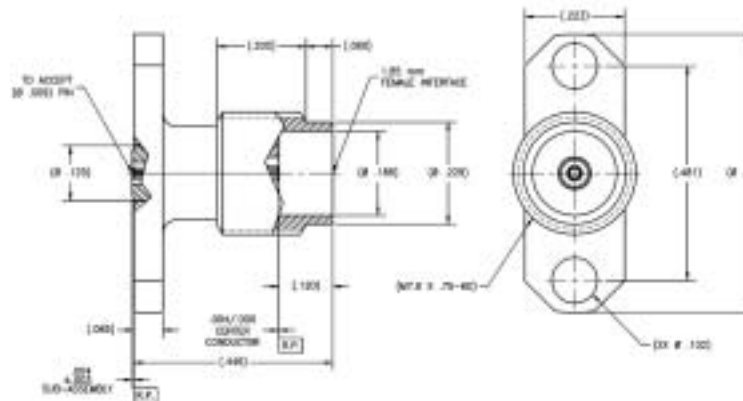
1.85mm female bulkhead field replaceable



Center conductor is captivated.  
Standard units are gold finish.

## V208-1CC

1.85mm female 2 hole flange mount field replaceable

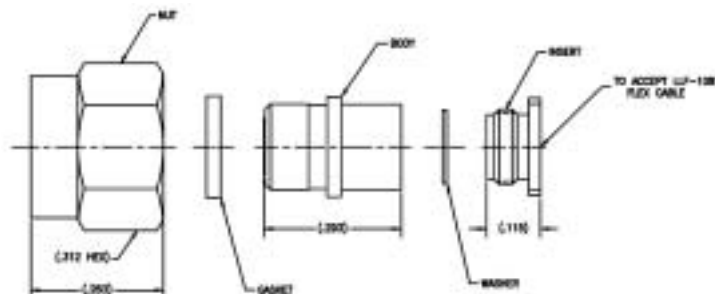


Center conductor is captivated.  
Standard units are gold finish.

# 1.85mm Cable Connector

## V213-1CC

V male to LLF-1087 flex cable



Center conductor is captivated.  
Standard units are gold finish.

Consult factory for Assembly Instructions

**Tensolite**

A CARLISLE Company

Call: 866-282-4708 Website: [www.tensolite.com](http://www.tensolite.com)