

# Series 7/16 - cable connectors

## Straight cable plugs (male)

### For Sucoform cables

- Cable entry soldered
- Centre contact soldered

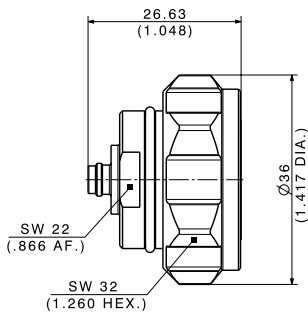


Fig. 1

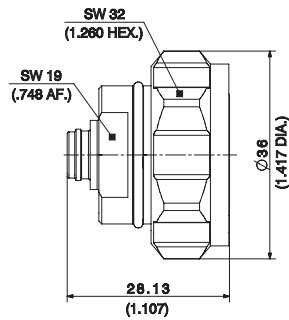


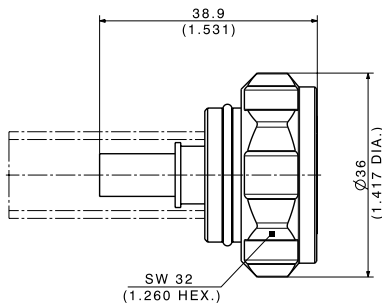
Fig. 2



HUBER+SUHNER type	Item no.	Cable group	Packaging	Assembly instruction	Weight	Fig.
11_716-50-3-3/003_Y	23031257	Y12 (SUCOFORM_141)	bulk 30 pcs.	196279	82.8 g/2.92 oz.	1
11_716-50-5-6/003_Y	84008435	Y14 (SUCOFORM_250-01)	bulk 10 pcs.	215393	75.0 g/2.65 oz.	2

### For flexible cables

- Cable entry crimp
- Centre contact plugged-in
- Degree of protection IP67



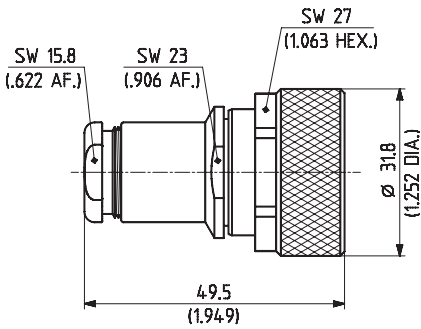
HUBER+SUHNER type	Item no.	Cable group	Packaging	Assembly instruction	Weight
11_716-50-4-5/033_Y	84098543	X9, X28 (SX_04172_B-60, SPUMA_240, SPUMA_240-FR-01)	tray 20 pcs.	327739	74.47 g/2.62 oz.

# Series 7/16 - cable connectors

## Straight cable plugs (male)

### For flexible cables

- Cable entry HUBER+SUHNER pressure-sleeve
- Centre contact soldered



HUBER+SUHNER type	Item no.	Cable group	Packaging	Assembly instruction	Weight
11_716-50-7-3/003_E	22544075	U29 (RG_213_/U, RADOX_RF_213)	single	9018	105.0 g/3.68 oz.
11_716-50-7-4/003_E	22544076	U32 (RG_214_/U, ENVIROFLEX_B214)			100.0 g/3.50 oz.

### For flexible cables

- HUBER+SUHNER full crimp
- Taper sleeves see page 554

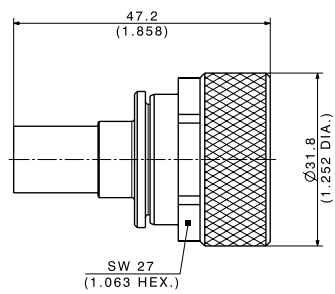
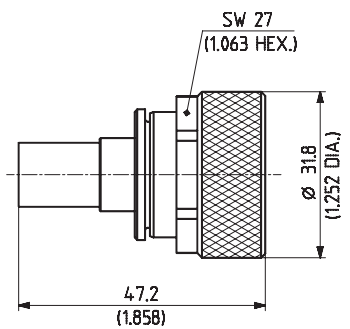


Fig. 1

Fig. 2

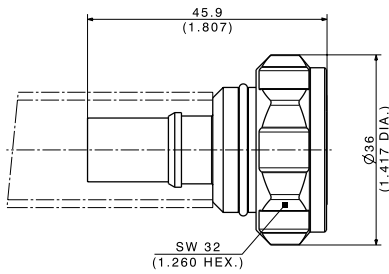
HUBER+SUHNER type	Item no.	Cable group	Packaging	Assembly instruction	Crimp insert	Weight	Fig.
11_716-50-7-1/003_E	22544073	U29 (RG_213_/U, RADOX_RF_213)	single	9017	3 D	85.0 g/2.98 oz.	1
11_716-50-7-2/003_E	22544074	U32 (RG_214_/U, ENVIROFLEX_B214)				85.0 g/2.98 oz.	1
11_716-50-7-18/003_E	22651493	U33 (RG_393_/U, ENVIROFLEX_393)				87.65 g/3.09 oz.	2

# Series 7/16 - cable connectors

## Straight cable plugs (male)

### For flexible cables

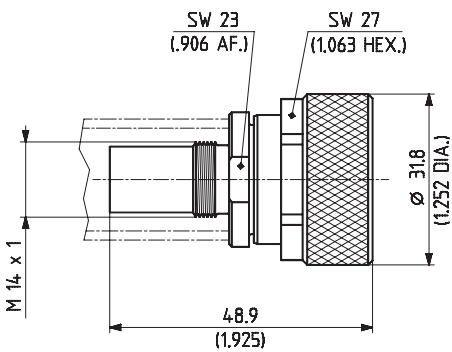
- Cable entry crimp
- Centre contact plugged-in
- Degree of protection IP67



HUBER+SUHNER type	Item no.	Cable group	Packaging	Assembly instruction	Crimp insert	Weight
11_716-50-7-31/033_Y	85010777	U30 (SPUMA_400, SPUMA_400-FR-01)	tray 10 pcs.	418807	D	89.5 g/3.16 oz.

### For flexible cables

- Cable entry crimp
- Centre contact soldered



HUBER+SUHNER type	Item no.	Cable group	Packaging	Assembly instruction	Crimp insert	Weight
11_716-50-7-14/003_E	22646908	S32 (S_07262_BD)	single	27003	D	91.0 g/3.19 oz. <sup>1)</sup>

<sup>1)</sup> Type available with additional sealing ferrule (IP67)

# Series 7/16 - cable connectors

## Straight cable plugs (male)

### For flexible cables

- Cable entry crimp
- Centre contact plugged-in
- Degree of protection IP67

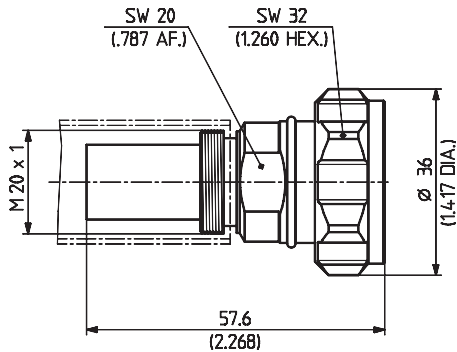


Fig. 1

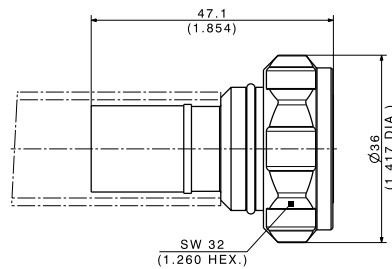
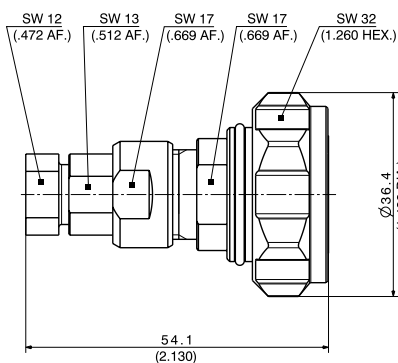


Fig. 2

HUBER+SUHNER type	Item no.	Cable group	Packaging	Assembly instruction	Crimp insert	Weight	Fig.
11_716-50-10-3/003_Z	23002520	S39 (S_10162_B-11)	bulk 10 pcs.	27354	12.4	100.0 g/3.52 oz.	1
11_716-50-12-8/033_Y	85018507	X29 (SPUMA_600)		444947	14.5	46.5 g/1.64 oz.	2

### For corrugated cables

- Cable entry clamp
- Centre contact plugged
- Degree of protection IP68



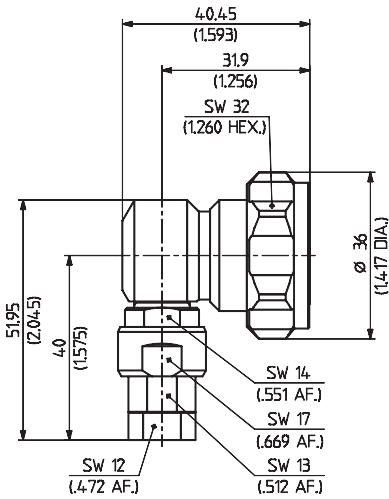
HUBER+SUHNER type	Item no.	Cable group	Packaging	Assembly instruction	Weight
11_716-50-5-7/003_E	84064394	M5 (SUFOFEED_1/4_HF)	single	267204	145.0 g/5.12 oz.

# Series 7/16 - cable connectors

## Right angle cable plugs (male)

### For corrugated cables

- Cable entry clamp
- Centre contact soldered
- Degree of protection IP68



HUBER+SUHNER type	Item no.	Cable group	Packaging	Assembly instruction	Crimp insert	Weight
16_716-50-5-2/003_-Z	23016774	M5 (SUCCOFEED_1/4_HF)	bulk 10 pcs.	273569	12.4	150.0 g/5.25 oz.

# Series 7/16 - cable connectors

## Right angle cable plugs (male)

### For flexible cables

- Cable entry crimp
- Centre contact soldered

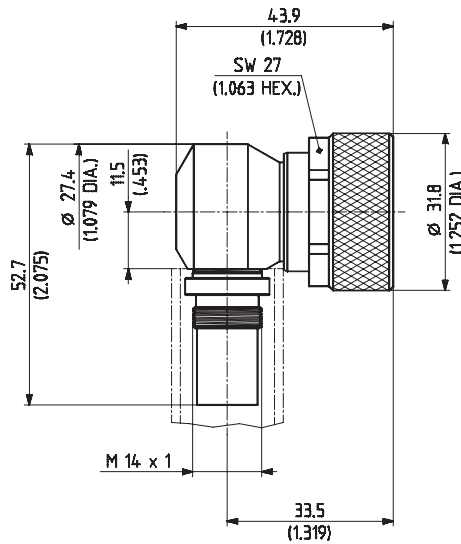
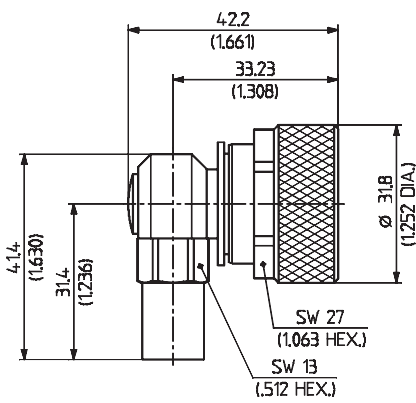


Fig. 1

Fig. 2

HUBER+SUHNER type	Item no.	Cable group	Packaging	Assembly instruction	Crimp insert	Weight	Fig.
16_716-50-7-10/003_E	22658839	U33 (RG_393_/U, ENVIROFLEX_393) U32 (RG_214_/U, ENVIROFLEX_B214)	single	9087	D	103.0 g/3.61 oz.	1
16_716-50-7-11/003_E	22649421	S32 (S_07262_BD)		9094		154.0 g/5.39 oz.	2 <sup>1)</sup>

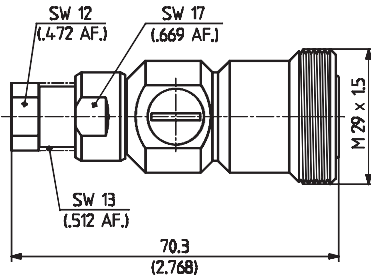
<sup>1)</sup> Types available with additional sealing ferrule (IP67)

# Series 7/16 - cable connectors

## Straight cable jacks (female)

### For corrugated cables

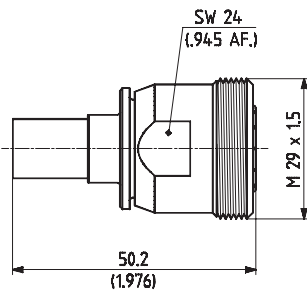
- Cable entry clamp
- Centre contact soldered
- Degree of protection IP68



HUBER+SUHNER type	Item no.	Cable group	Packaging	Assembly instruction	Weight
21_716-50-5-400/003_-Z	23011950	M5 (SUCOFEED_1/4_HF)	bulk 10 pcs.	27297	140.0 g/4.90 oz.

### For flexible cables

- HUBER+SUHNER full crimp
- Taper sleeves see page 554



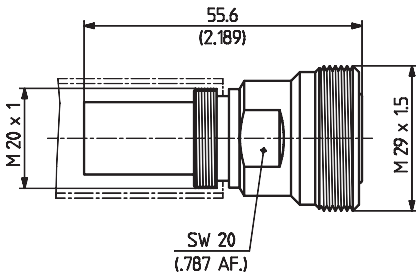
HUBER+SUHNER type	Item no.	Cable group	Packaging	Assembly instruction	Crimp insert	Weight
21_716-50-7-1/003_-E	22544092	U29 (RG_213_/U, RADOX_RF_213)	single	9017	3 D	90.0 g/3.15 oz.
21_716-50-7-2/003_-E	22544093	U32 (RG_214_/U, ENVIROFLEX_B214)				

# Series 7/16 - cable connectors

## Straight cable jacks (female)

### For flexible cables

- Cable entry crimp
- Centre contact plugged-in
- Degree of protection IP67

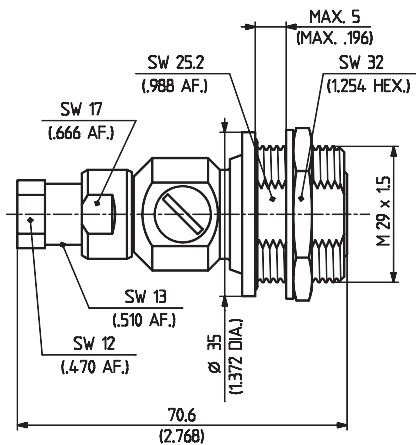


HUBER+SUHNER type	Item no.	Cable group	Packaging	Assembly instruction	Crimp insert	Weight
21_716-50-10-1/003_Z	23002535	S39 (S_10162_B-11)	bulk 10 pcs.	27354	12.4	85.0 g/2.99 oz.

## Straight bulkhead cable jacks (female)

### For corrugated cables

- Cable entry clamp
- Centre contact soldered
- Degree of protection IP68



HUBER+SUHNER type	Item no.	Cable group	Packaging	Assembly instruction	Mounting hole	Weight
24_716-50-5-400/003_Z	22658272	M5 (SUCCOFEED_1/4_HF)	bulk 10 pcs.	27297	ML 110	171.0 g/6.03 oz.

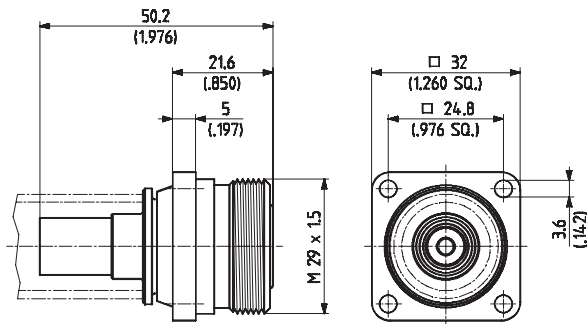


# Series 7/16 - cable connectors

## Straight panel cable jacks (female)

### For flexible cables

- Cable entry crimp
- Centre contact soldered
- Mounting hole ML 27
- Degree of protection IP66



HUBER+SUHNER type	Item no.	Cable group	Packaging	Assembly instruction	Crimp insert	Weight
25_716-50-7-11/003_E	22649423	S32 (S_07262_BD)	single	27003	D	112.0 g/3.92 oz.

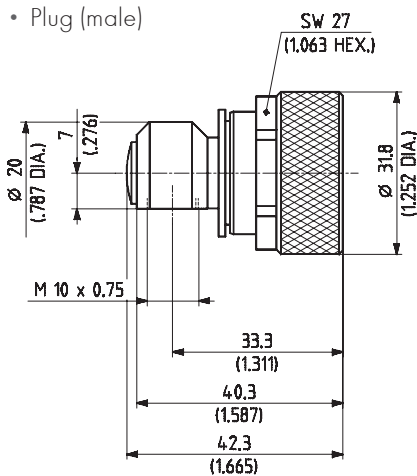
# Series 7/16 - combination system

The HUBER+SUHNER 7/16 combination system enables efficient, lowcost and flexible stocking of 7/16 cable connectors. The 11 basic parts can be combined to obtain 48 different cable connector types for almost all coaxial cables with 2.95 mm (0.116 in.), 4.7 mm (0.185 in.) or 7.25 mm (0.285 in.) dielectric diameter. The cable entries are available with both crimp type or pressure-sleeve (no special tools) cable attachment.

Centre conductors are soldered. All cable entries can be used together with any of the combi-heads. Taper sleeves can be supplied for the crimp type cable entries. Straight or right angle configurations are possible with the same sub-assemblies. All types have 50 Ω impedance and are suitable for frequencies up to 1 GHz. The working voltage is limited to 1.0 kV rms.

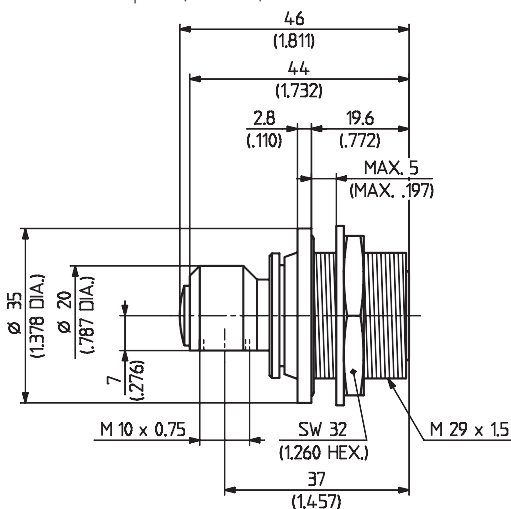
## Combi-heads

- Plug (male)



HUBER+SUHNER type	Item no.	Packaging	Weight	Notes
11_716-50-0-2/003_E	22641432	single	100.0 g/3.50 oz.	cable entries see following pages

- Bulkhead jack (female)



HUBER+SUHNER type	Item no.	Packaging	Mounting hole	Weight	Notes
24_716-50-0-1/003_E	22650517	single	ML 110	126.0 g/4.44 oz.	cable entries see following pages

Cable groups see page 32

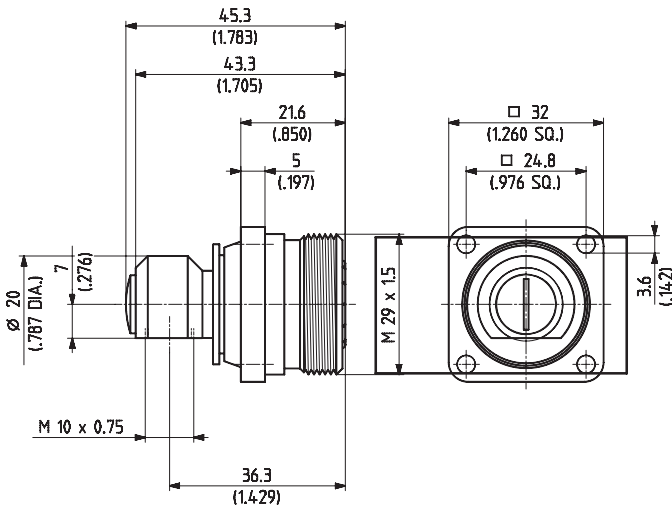
Assembly tools see page 531

Mounting holes/PCB layouts see page 561

# Series 7/16 - combination system

## Combi-heads

- Panel jack (female)



HUBER+SUHNER type	Item no.	Packaging	Mounting hole	Weight	Notes
25_716-50-0-2/003_E	22641434	single	ML 27	124.0 g/4.34 oz.	cable entries see below

## Cable entries (for use with all combi-heads)

- Cable entry crimp
- Taper sleeves see page 554

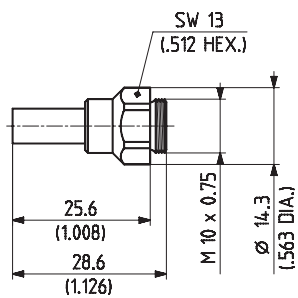


Fig. 1

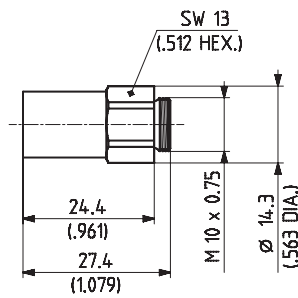
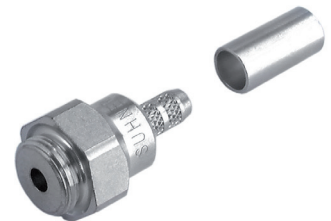


Fig. 2



HUBER+SUHNER type	Item no.	Cable group (example)	Packaging	Assembly instruction	Crimp insert	Fig.
71_Z0-3-21/-33_E	22641435	U7 (RG_58_C/U, ENVIROFLEX_B58)	single	9084	B	1
71_Z0-3-22/-33_E	22641436	U9 (RG_223_/U, ENVIROFLEX_B223)				
71_Z0-7-21/-33_E	22641440	U29 (RG_213_/U, RADOX_RF_213)	single	9087	D	2
71_Z0-7-22/-33_E	22641441	U32 (RG_214_/U, ENVIROFLEX_B214)				

# Series 7/16 – combination system

Cable entries (for use with all combi-heads)

- Cable entry pressure-sleeve

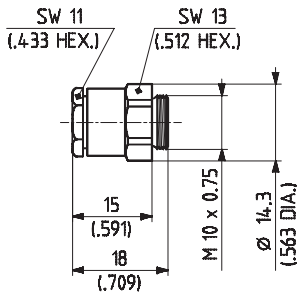


Fig. 1

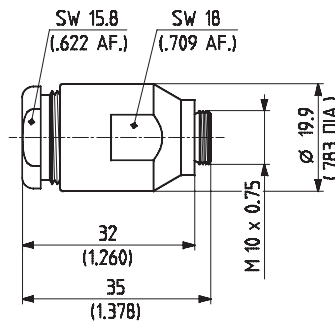


Fig. 2

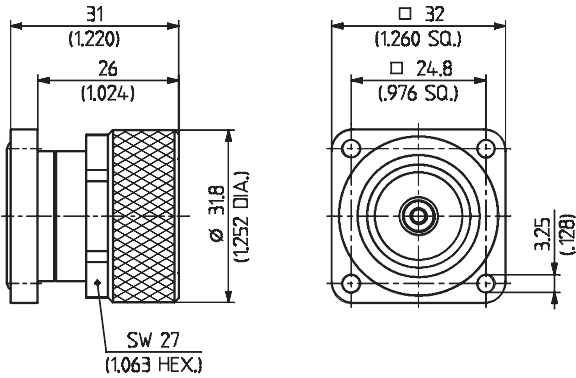


HUBER+SUHNER type	Item no.	Cable group (example)	Packaging	Assembly instruction	Fig.
71_Z0-3-24/-33_E	22641438	U7, U9 (RG_58_C/U, ENVIROFLEX_B58)	single	9085	1
71_Z0-7-24/-33_E	22641443	U32 (RG_214_/U, ENVIROFLEX_B214)		9088	2

# Series 7/16 - receptacles with solder end

## Receptacle, plug (male)

- Panel mounted
- Flange with O-ring
- Centre contact captivated for torque



HUBER+SUHNER type	Item no.	Packaging	Weight	Notes
13_716-50-0-4/003_V	22658959	bulk 20 pcs.	98.0 g/6.00 oz.	centre conductor with threaded stud M3

## Receptacles, jacks (female)

- Panel mounted

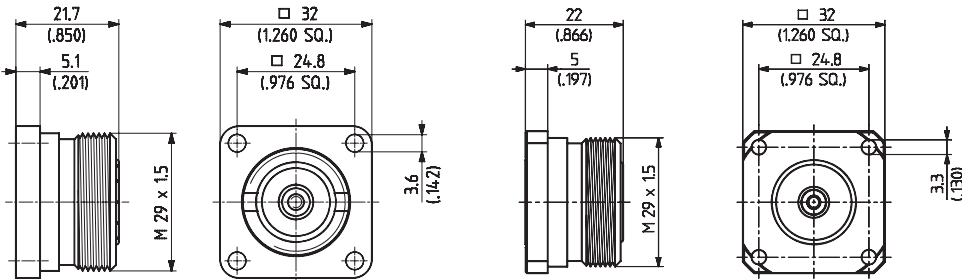


Fig. 1

Fig. 2

HUBER+SUHNER type	Item no.	Packaging	Mounting hole	Weight	Notes	Fig.
23_716-50-0-1/003_E	22544102	single	ML 27	75.0 g/2.65 oz.	centre conductor with threaded stud M3	1
23_716-50-0-57/003_V	23015661	bulk 20 pcs.		80.0 g/2.80 oz.		2