

Series BMA - cable connectors

Straight bulkhead cable plugs (male)

For semi-rigid cables

- Cable entry soldered
- Bulkhead mounted, rigid
- Body material: CuBe, gold plated

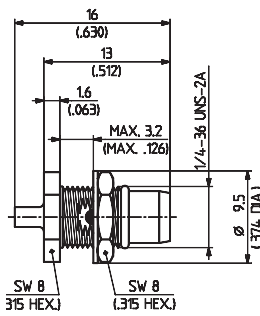


Fig. 1

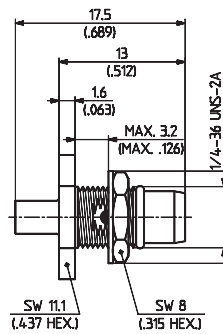


Fig. 2

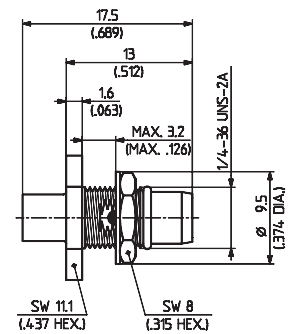


Fig. 3

HUBER+SUHNER type	Item no.	Cable group (example)	Packaging	Assembly instruction	Mounting hole	Fig.
14_BMA-50-1-15/111_NE	22646663	Y2, Y15 (EZ_47)	single	27180	ML 56	1
14_BMA-50-2-2/111_NE	22645600	Y3, Y11, Y16 (EZ_86)		9171		2
14_BMA-50-3-2/111_NE	22645601	Y5, Y12, Y17 (EZ_141)		9171		3

For flexible cables

- Cable entry crimp
- Bulkhead mounted, rigid
- Body material: stainless steel

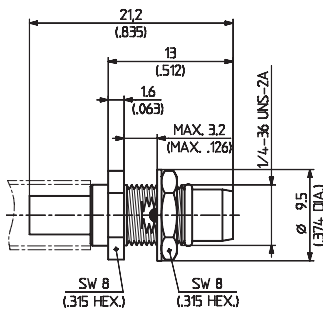


Fig. 1

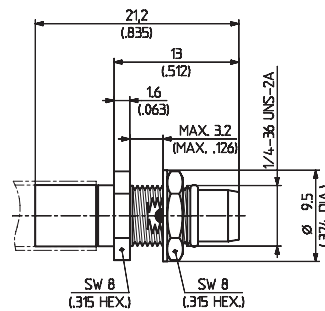


Fig. 2

HUBER+SUHNER type	Item no.	Cable group (example)	Packaging	Assembly instruction	Mounting hole	Crimp insert	Fig.
14_BMA-50-2-3/199_NE	22645614	U2 (RG_316_/U, ENVIROFLEX_316)	single	9172	ML 56	A ¹⁾	1
14_BMA-50-3-3/199_NE	22645615	U9, U11 (RG_400_/U, ENVIROFLEX_400)		9173		B ²⁾	2

¹⁾ MIL insert M22520/5-03A can also be used

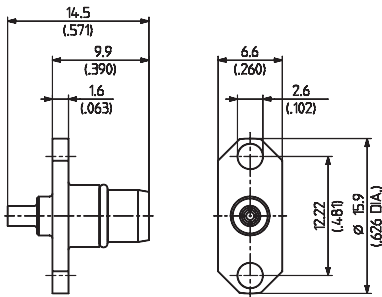
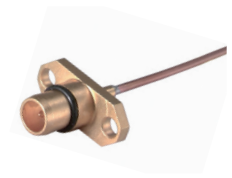
²⁾ MIL insert M22520/5-05A can also be used

Series BMA - cable connectors

Straight panel cable plug (male)

For semi-rigid cables

- Cable entry soldered
- 2-hole mounted
- Body material: CuBe, gold plated



HUBER+SUHNER type	Item no.	Cable group (example)	Packaging	Assembly instruction
15_BMA-50-1-15/111_NE	22649704	Y2, Y15 (EZ_47)	single	27180

Straight bulkhead cable jacks (female)

For semi-rigid cables

- Cable entry soldered
- Snap-in, floating
- Body material: CuBe, gold plated

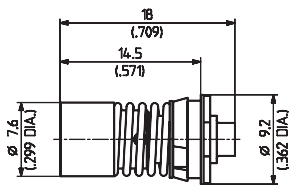


Fig. 1

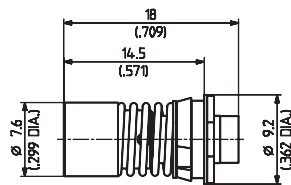


Fig. 2

Connector fixed into mounting panel with snap-in mechanism. Recommended removal tool: 74_Z-0-0-213

HUBER+SUHNER type	Item no.	Cable group (example)	Packaging	Assembly instruction	Mounting hole	Fig.
24_BMA-N50-2-20/111_NE	84097552	Y3, Y11, Y16 (EZ_86)	single	0000230377	ML 66	1
24_BMA-N50-3-18/111_NE	85018694	Y5, Y12, Y17 (EZ_141)		0000453501		2

It is recommended to use a service loop to facilitate the float features of the connector.

Series BMA - cable connectors

Straight bulkhead cable jacks (female)

For flexible cables

- Cable entry crimp
- Snap-in, floating
- Body material: stainless steel

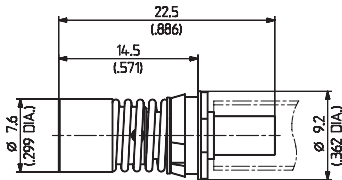


Fig. 1

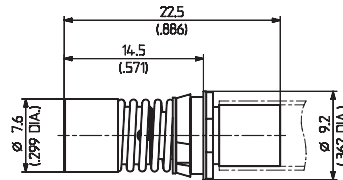


Fig. 2

HUBER+SUHNER type	Item no.	Cable group (example)	Packaging	Assembly instruction	Mounting hole	Crimp insert	Fig.
24_BMA-N50-2-21/119_NE	85018763	U2 (RG_316_/U, ENVIROFLEX_316)	single	0000453588	ML66	A	1
24_BMA-N50-3-19/119_NE	85018796	U9, U11 (RG_400_/U, ENVIROFLEX_400)		9173		B	2

Recommended removal tool 74_Z-0-0-213 for receptacles with snap-in mechanism.

Straight panel cable jacks (female)

For semi-rigid cables

- Cable entry soldered
- Flange mount, floating

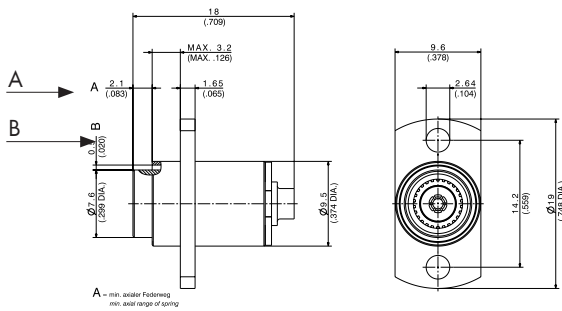


Fig. 1

A = min. 2.1 mm/0.083 in. axial range of spring
 B = min. 0.5 mm/0.020 in. radial misalignment

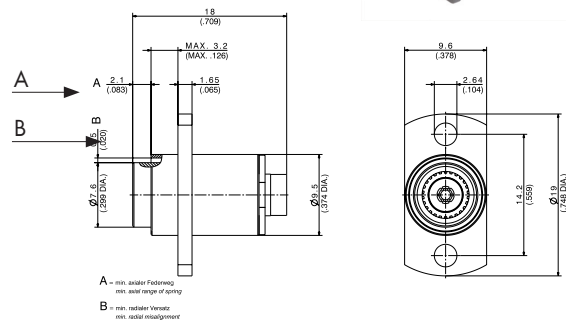


Fig. 2

Outer connector body and flange of stainless steel, inner floating part of gold plated CuBe

HUBER+SUHNER type	Item no.	Cable group (example)	Packaging	Assembly instruction	Mounting hole	Fig.
25_BMA-N50-2-13/119_NE	84145709	Y3, Y11, Y16 (EZ_86)	single	0000230377	ML58	1
25_BMA-N50-3-7/119_NE	85018698	Y5, Y12, Y17 (EZ_141)		0000453517		2

It is recommended to use a service loop to facilitate the float features of the connector.

Series BMA - cable connectors

Straight panel cable jacks (female)

For flexible cables

- Cable entry crimp
- Flange mount, floating

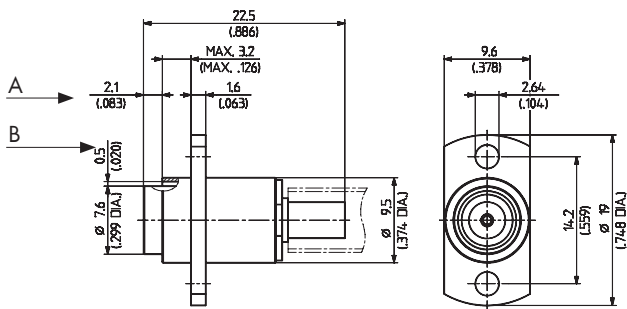


Fig. 1

A = min. 2.1 mm/0.083 in. axial range of spring
 B = min. 0.5 mm/0.020 in. radial misalignment

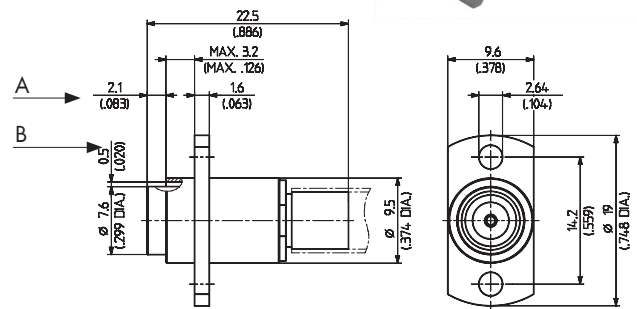


Fig. 2

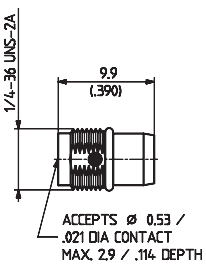
Outer connector body and flange of stainless steel, inner floating part of gold plated CuBe

HUBER+SUHNER type	Item no.	Cable group (example)	Packaging	Assembly instruction	Mounting hole	Crimp insert	Fig.
25_BMA-N50-2-14/119_NE	85018785	U2 (RG_316_/U, ENVIROFLEX_316)	single	0000291185	ML58	A	1
25_BMA-N50-3-8/119_NE	85018791	U9, U11 (RG_400_/U, ENVIROFLEX_400)		9173		B	2

Series BMA - receptacles with solder-in hermetic seal

Receptacle, plug (male)

- Bulkhead mounted
- Threaded installation
- Body material: stainless steel



HUBER+SUHNER type	Item no.	Packaging	Mounting hole	Suitable glass-bead
12_BMA-50-0-3/199_NE	22645636	single	ML61	73_Z0-0-198 ¹⁾

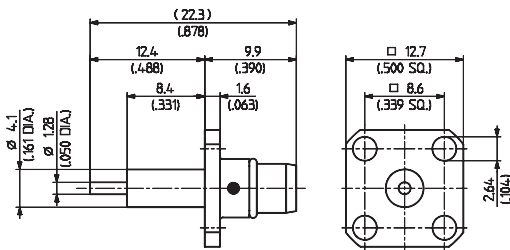
For mounting: recommended tool: collet chuck and torque wrench from Radiall R282.340.000, diam. 5.3 mm, 280 Ncm.
 For fixing hermetic seal while soldering, fixture 74_Z-0-0-211 is recommended.

¹⁾ See page 559

Series BMA – receptacles with solder end

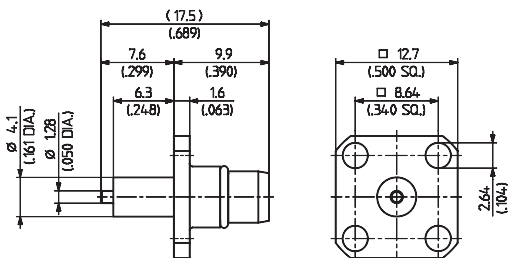
Receptacles, plugs (male)

- Panel mounted
- Body material: stainless steel



HUBER+SUHNER type	Item no.	Packaging	Flange type	Notes
13_BMA-50-0-1/199_NE	22645622	single	square	with extended dielectric

- Panel mounted
- Body material: stainless steel

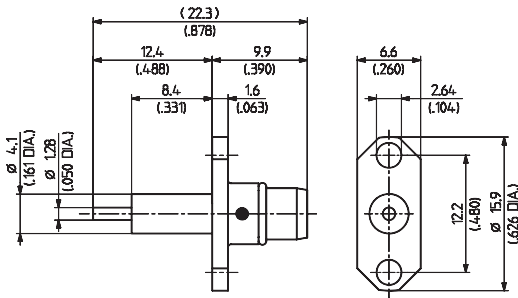


HUBER+SUHNER type	Item no.	Packaging	Flange type	Notes
13_BMA-50-0-13/199_NE	22660107	single	square	with extended dielectric

Series BMA – receptacles with solder end

Receptacle, plug (male)

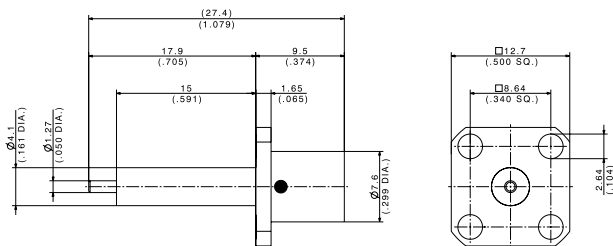
- Panel mounted
- Body material: stainless steel



HUBER+SUHNER type	Item no.	Packaging	Flange type	Notes
13_BMA-50-0-2/199_NE	22645623	single	2-hole	with extended dielectric

Receptacles, jack (female)

- Panel mounted
- Body material: stainless steel

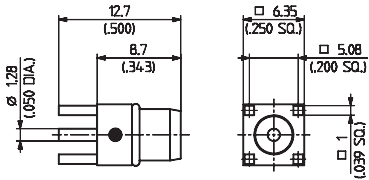


HUBER+SUHNER type	Item no.	Packaging	Flange type	Notes
23_BMA-N50-0-16/119_NE	85079352	single	square	with extended dielectric

Series BMA - PCB connectors

Straight PCB plug (male)

- Body material: CuBe, gold plated



HUBER+SUHNER type	Item no.	Packaging	Flange type
81_BMA-50-0-1/111_NE	22645630	single	ML41