

Series BNC 50 Ω – cable connectors

Straight cable plugs (male)

For semi-rigid cables

- Cable entry soldered
- Centre contact soldered

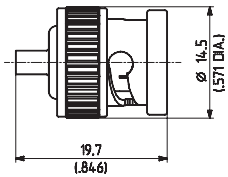


Fig. 1

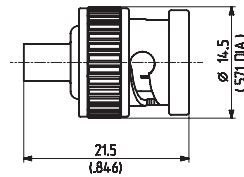
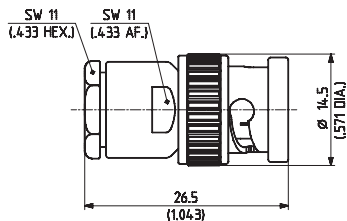


Fig. 2

HUBER+SUHNER type	Item no.	Cable group (example)	Packaging	Assembly instruction	Fig.
11_BNC-50-2-20/103_NE ¹⁾	22641778	Y3, Y11, Y16 (EZ_86)	single	9100	1
11_BNC-50-3-54/103_NE ¹⁾	22540108	Y5, Y12, Y17 (EZ_141)		9106	2

For flexible cables

- Cable entry clamp
- Centre contact soldered



HUBER+SUHNER type	Item no.	Cable group (example)	Packaging	Assembly instruction
11_BNC-50-1-1/133_NE	22540021	U1 (RG_178_B/U, ENVIROFLEX_178)	single	3005
11_BNC-50-2-1/133_NE	22540029	U2 (RG_316_/U, ENVIROFLEX_316)		
11_BNC-50-3-1/133_NE ¹⁾	22540045	U7, U9 (RG_58_C/U, ENVIROFLEX_B58)		3004
11_BNC-50-3-5/133_NE	22540054			3005

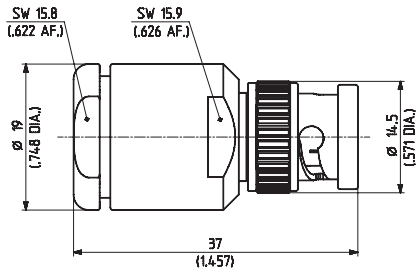
¹⁾ Centre contact NOT captivated.

Series BNC 50 Ω - cable connectors

Straight cable plugs (male)

For flexible cables

- Cable entry clamp
- Centre contact soldered



HUBER+SUHNER type	Item no.	Cable group (example)	Packaging	Assembly instruction
11_BNC-50-7-1/133_NE	22540145	U29 (RG_213/U, RADOX_RF_213)	single	3008
11_BNC-50-7-2/133_NE	22540149	U32 (RG_214/U, ENVIROFLEX_B214)		

For flexible cables

- HUBER+SUHNER full crimp
- Taper sleeves see page 554

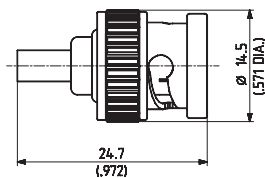


Fig. 1

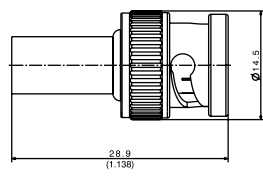


Fig. 2



HUBER+SUHNER type	Item no.	Cable group (example)	Packaging	Assembly instruction	Crimp insert	Fig.
11_BNC-50-1-5/133_NE	22641759	U1 (RG_178_B/U, ENVIROFLEX_178)	single	9068	1 A	1
11_BNC-50-2-13/133_NE	22543749	U2 (RG_316_/U, ENVIROFLEX_316)	single			
11_BNC-50-2-13/133_NH	22644716		bulk 100 pcs.			
11_BNC-50-2-14/133_NE	22641683	U4 (K_02252_D, ENVIROFLEX_316_D)	single			
11_BNC-50-2-14/133_NH	22649839		bulk 100 pcs.			
11_BNC-50-2-16/133_NE	22544026	U3 (G_01130_HT)	single	3015	2 B	2
11_BNC-50-2-16/133_NH	22648466		bulk 100 pcs.			
11_BNC-50-3-87/133_NE	84057578	U7 (RG_58_C/U, ENVIROFLEX_B58)	single	27057	2 C	
11_BNC-50-3-87/133_NH	84057579		bulk 100 pcs.			
11_BNC-50-3-86/133_NE	84057576	U9 (RG_223_/U, ENVIROFLEX_B223)	single	3015	2 B	
11_BNC-50-3-86/133_NH	84057577		bulk 100 pcs.			
11_BNC-50-3-36/133_NE	22540089	U13 (G_03130_HT)	single	27057	2 C	
11_BNC-50-3-88/133_NE	84057580	U11, U41 (RG_400_/U, ENVIROFLEX_400)	single	3015	2 B	
11_BNC-50-3-88/133_NH	84057581		bulk 100 pcs.			
11_BNC-50-4-4/133_NE	22540115	U16 (RG_59_B/U, RADOX_RF_59)	single	27057	2 C	
11_BNC-50-4-4/133_NH	22648238		bulk 100 pcs.			

Cable groups see page 32

Assembly tools see page 531

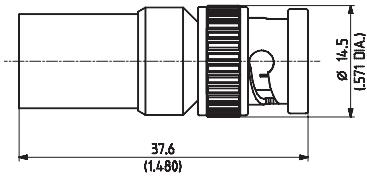
Mounting holes/PCB layouts see page 561

Series BNC 50 Ω - cable connectors

Straight cable plugs (male)

For flexible cables

- HUBER+SUHNER full crimp
- Taper sleeves see page 554

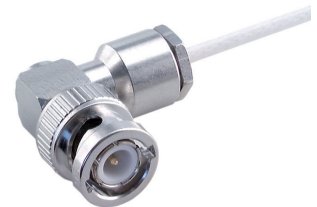
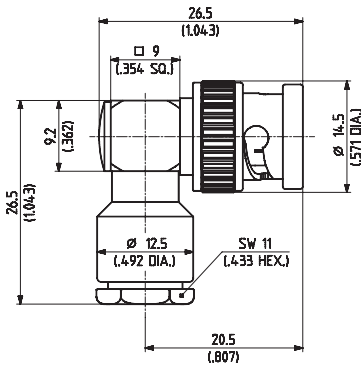


HUBER+SUHNER type	Item no.	Cable group (example)	Packaging	Assembly instruction	Crimp insert
11_BNC-50-7-6/133_NE	22640863	U32, U43 (RG_214/U, ENVIROFLEX_B214)	single	3061	3 D
11_BNC-50-7-7/133_NE	22543766	U29, U42 (RG_213/U, RADOX_RF_213)			

Right angle cable plugs (male)

For flexible cables

- Cable entry clamp



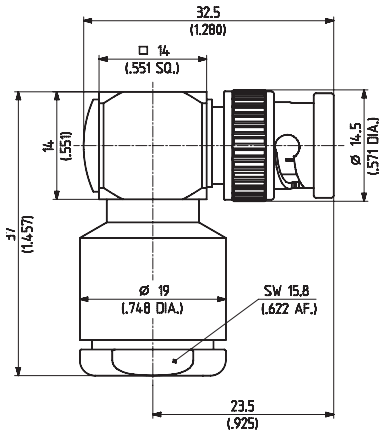
HUBER+SUHNER type	Item no.	Cable group (example)	Packaging	Assembly instruction
16_BNC-50-2-9/133_NE	84013192	U2 (RG_316_/U, ENVIROFLEX_316)	single	3024
16_BNC-50-3-25/133_NE	84013233	U7, U9 (RG_58_C/U, ENVIROFLEX_B58)		

Series BNC 50 Ω - cable connectors

Right angle cable plugs (male)

For flexible cables

- Cable entry clamp



HUBER+SUHNER type	Item no.	Cable group (example)	Packaging	Assembly instruction
16_BNC-50-7-6/133_NE	22651588	U29 (RG_213_/U, RADOX_RF_213) U32 (RG_214_/U, ENVIROFLEX_B214)	single	27121

For flexible cables

- Cable entry crimp
- Center contact soldered
- Taper sleeves see page 554

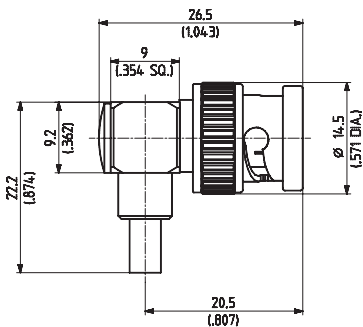


Fig. 1

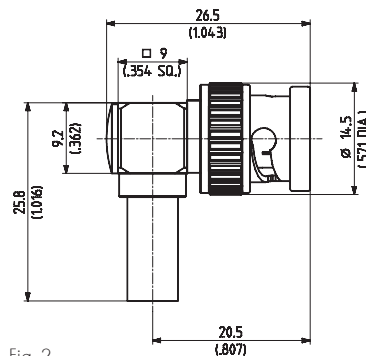


Fig. 2

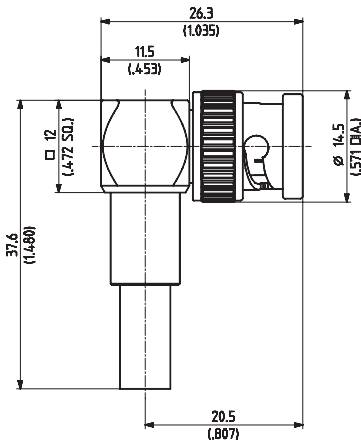
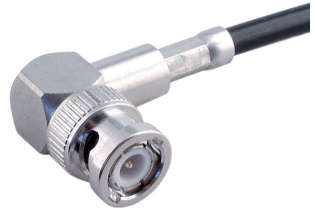
HUBER+SUHNER type	Item no.	Cable group (example)	Packaging	Assembly instruction	Crimp insert	Fig.
16_BNC-50-2-3/133_NE 16_BNC-50-2-3/133_NH	22540168 22648628	U2 (RG_316_/U, ENVIROFLEX_316)	single bulk 100 pcs.	3079	A	1
16_BNC-50-2-5/133_NE 16_BNC-50-2-5/133_NH	22540169 22650221	U4 (K_02252_D, ENVIROFLEX_316_D)	single bulk 100 pcs.			
16_BNC-50-3-5/133_NE	22540185	U7 (RG_58_C/U, ENVIROFLEX_B58)	single	3058	B	2
16_BNC-50-3-7/133_NE 16_BNC-50-3-7/133_NH	22540192 22650222	U9, U11; U39 (RG_400_/U, ENVIROFLEX_400)	single bulk 100 pcs.			

Series BNC 50 Ω - cable connectors

Right angle cable plugs (male)

For flexible cables

- HUBER+SUHNER full crimp
- Taper sleeves see page 554

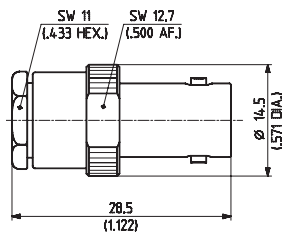


HUBER+SUHNER type	Item no.	Cable group (example)	Packaging	Assembly instruction	Crimp insert
16_BNC-50-3-13/133_NE	22540198	U7 (RG_58_C/U, ENVIROFLEX_B58)	single	3015	2 B

Straight cable jacks (female)

For flexible cables

- Cable entry clamp



HUBER+SUHNER type	Item no.	Cable group (example)	Packaging	Assembly instruction
21_BNC-50-2-1/133_NE	22540228	U2 (RG_316_/U, ENVIROFLEX_316)	single	3005
21_BNC-50-3-12/133_NE	22540263	U7, U9 (RG_58_C/U, ENVIROFLEX_B58)		

Series BNC 50 Ω - cable connectors

Straight cable jacks (female)

For flexible cables

- HUBER+SUHNER full crimp
- Taper sleeves see page 554

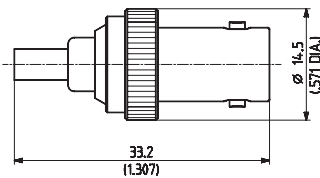


Fig. 1

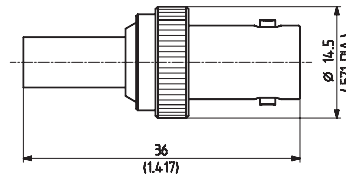


Fig. 2

HUBER+SUHNER type	Item no.	Cable group (example)	Packaging	Assembly instruction	Crimp insert	Fig.
21_BNC-50-1-4/133_NE	22641777	U1 (RG_178_B/U, ENVIROFLEX_178)	single	9068	1 A	1
21_BNC-50-2-9/133_NE	22641732	U2 (RG_316_/U, ENVIROFLEX_316)				
21_BNC-50-2-10/133_NE	22641779	U4 (K_02252_D, ENVIROFLEX_316_D)				
21_BNC-50-3-27/133_NE	84057699	U7 (RG_58_C/U, ENVIROFLEX_B58)		0000231215	2 B	2
21_BNC-50-3-28/133_NE	84057722	U9, U39 (RG_223_/U)		0000231453		

Straight bulkhead cable jacks (female)

For semi-rigid cables

- Cable entry soldered
- Insulating washers see page 556
- With panel seal

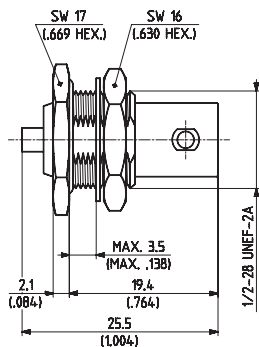


Fig. 1

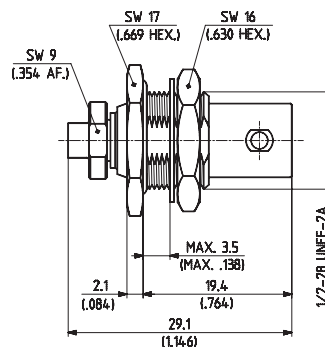


Fig. 2

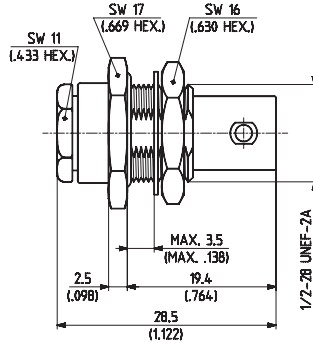
HUBER+SUHNER type	Item no.	Cable group (example)	Packaging	Assembly instruction	Mounting hole	Fig.
24_BNC-50-2-20/133_NE	22641886	Y3, Y11, Y16 (EZ_86)	single	9100	ML4	1
24_BNC-50-3-33/133_NE	22641923	Y5, Y12, Y17 (EZ_141)		9005		2

Series BNC 50 Ω - cable connectors

Straight bulkhead cable jacks (female)

For flexible cables

- Cable entry clamp
- With panel seal
- Insulating washers see page 556



HUBER+SUHNER type	Item no.	Cable group (example)	Packaging	Assembly instruction	Mounting hole
24_BNC-50-1-1/133_NE	22540362	U1 (RG_178_B/U, ENVIROFLEX_178)	single	3005	ML 4
24_BNC-50-2-1/133_NE	22540365	U2 (RG_316_/U, ENVIROFLEX_316)			
24_BNC-50-3-5/133_NE	22540385	U7, U9 (RG_58_C/U, ENVIROFLEX_B58)			

For flexible cables

- HUBER+SUHNER full crimp
- With panel seal
- Insulating washers see page 556
- Taper sleeves see page 554

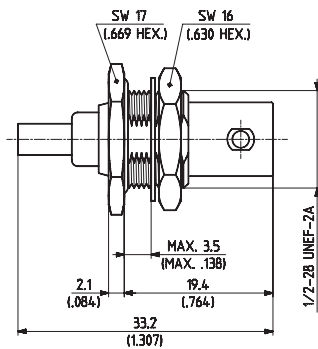


Fig. 1

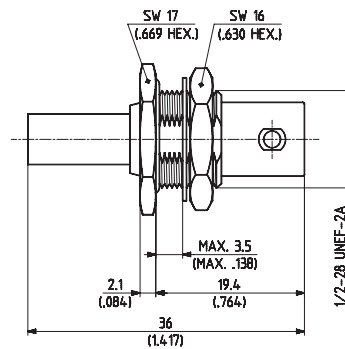


Fig. 2



HUBER+SUHNER type	Item no.	Cable group (example)	Packaging	Assembly instruction/ Mounting hole	Crimp insert	Fig.
24_BNC-50-1-6/133_NE 24_BNC-50-1-6/133_NH	22641781 84011438	U1 (RG_178_B/U, ENVIROFLEX_178)	single bulk 100 pcs.	9068/ML 4	1 A	1
24_BNC-50-2-45/133_NE 24_BNC-50-2-45/133_NH	84057863 84057864	U2 (RG_316_/U, ENVIROFLEX_316)	single bulk 100 pcs.			
24_BNC-50-2-46/133_NE 24_BNC-50-2-46/133_NH	84057872 84057873	U4 (K_02252_D, ENVIROFLEX_316_D)	single bulk 100 pcs.			
24_BNC-50-3-1/133_NE	22540378	U7 (RG_58_C/U, ENVIROFLEX_B58)	single	3015/ML 4	2 B	2
24_BNC-50-3-8/133_NE	22540389	U9 (RG_223_/U, ENVIROFLEX_B223)	single			
24_BNC-50-3-25/133_NE 24_BNC-50-3-25/133_NH	22658913 22660362	U11 (RG_400_/U, ENVIROFLEX_400)	single bulk 100 pcs.			

Cable groups see page 32

Assembly tools see page 531

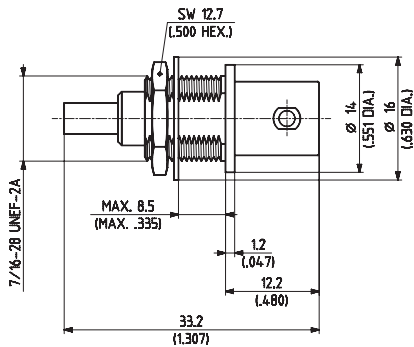
Mounting holes/PCB layouts see page 561

Series BNC 50 Ω - cable connectors

Straight bulkhead cable jacks (female)

For flexible cables

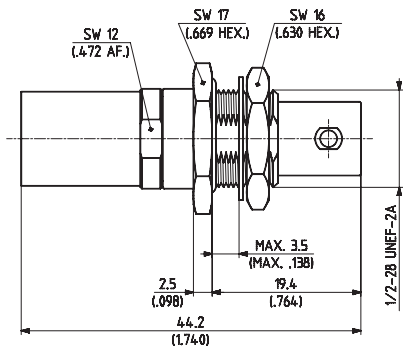
- HUBER+SUHNER full crimp
- Taper sleeves see page 554
- Front mounting
- Without panel seal



HUBER+SUHNER type	Item no.	Cable group (example)	Packaging	Assembly instruction	Mounting hole	Crimp insert
24_BNC-50-2-29/133_NE	22648682	U2 (RG_316_/U, ENVIROFLEX_316)	single	9068	ML3	1 A

For flexible cables

- HUBER+SUHNER full crimp
- With panel seal
- Insulating washers see page 556
- Taper sleeves see page 554



HUBER+SUHNER type	Item no.	Cable group (example)	Packaging	Assembly instruction	Mounting hole	Crimp insert
24_BNC-50-7-3/133_NE	22540415	U29, U42 (RG_213_/U, RADOX_RF_213)	single	9121	ML4	3 D

Series BNC 50 Ω - cable connectors

Straight panel cable jacks (female)

For flexible cables

- HUBER+SUHNER full crimp
- Taper sleeves see page 554

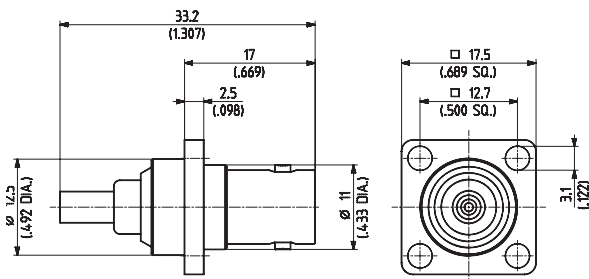
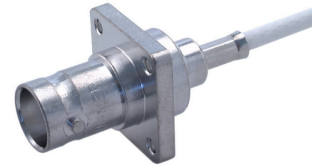


Fig. 1

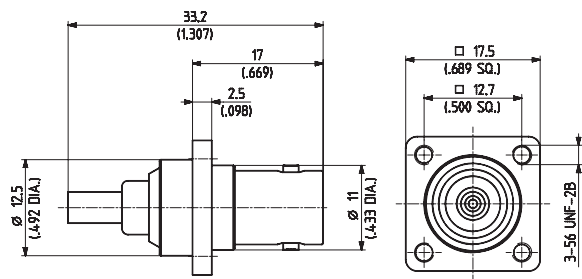


Fig. 2

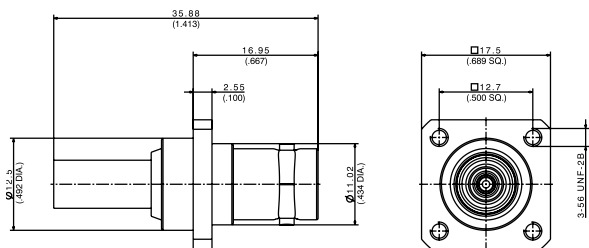


Fig. 3

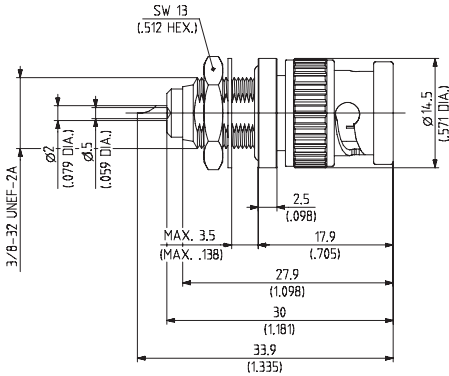
HUBER+SUHNER type	Item no.	Cable group (example)	Packaging	Assembly instruction	Mounting hole	Crimp insert	Fig.
25_BNC-50-2-13/133_NE	22641919	U2 (RG_316_/U, ENVIROFLEX_316)	single	9068	ML 8	1 A	2 ¹⁾
25_BNC-50-2-14/133_NE	22641924						1
25_BNC-50-2-16/133_NE	22641795	U4 (K_02252_D, ENVIROFLEX_316_D)		0000231565		2 B	3
25_BNC-50-3-39/133_NE	84057974	U7 (RG_58_C/U, ENVIROFLEX_B58)					

¹⁾ Mounting also possible with screws ISO M 2.5.

Series BNC 50 Ω - receptacles with solder end

Receptacles, plugs (male)

- Bulkhead mounted
- Insulating washers see page 556
- Solder tags see page 557



HUBER+SUHNER type	Item no.	Packaging	Mounting hole	Panel thickness	Notes
12_BNC-50-0-1/133_NE	22540154	single	ML 2	max. 3.5 mm	with panel seal

Receptacles, jacks (female)

- Bulkhead mounted
- Insulating washers see page 556
- Solder tags see page 557

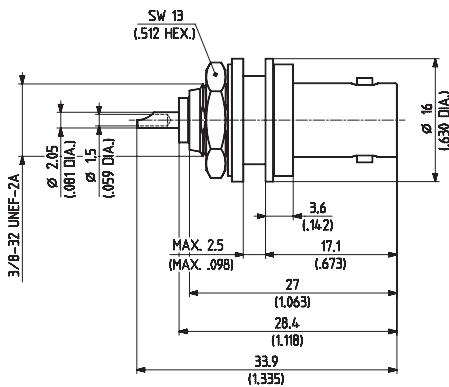


Fig. 1

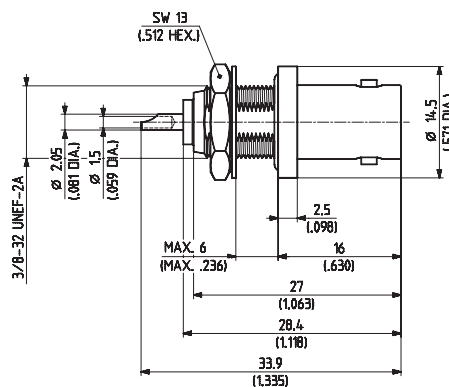


Fig. 2

HUBER+SUHNER type	Item no.	Packaging	Mounting hole	Fig.	Notes
22_BNC-50-0-2/133_NE	22540293	single	ML 102	1	insulated mounting ¹⁾
22_BNC-50-0-3/133_NE	22540301	single	ML 1	2	with panel seal
22_BNC-50-0-3/133_NH	22645500	bulk 100 pcs.			

¹⁾ equipped with insulating washers 77_Z0-0-2 (not protected against rotation)

Series BNC 50 Ω - receptacles with solder end

Receptacles, jacks (female)

- Bulkhead mounted
- Insulating washers see page 556
- Solder tags see page 557

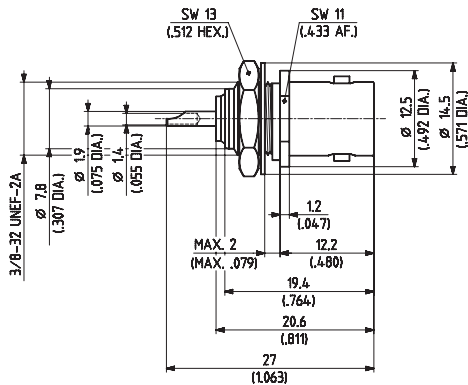


Fig. 1

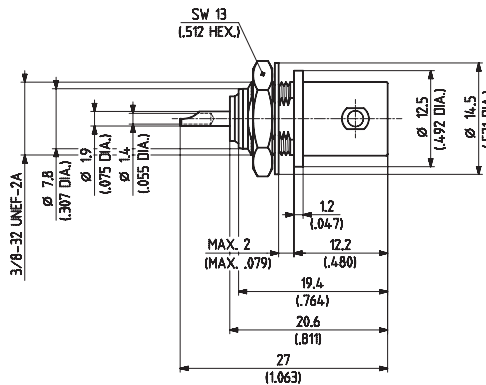


Fig. 2

HUBER+SUHNER type	Item no.	Packaging	Mounting hole	Fig.	Notes
22_BNC-50-0-4/133_NE	22540303	single	ML 3	1	not suitable for insulated mounting
22_BNC-50-0-5/133_NE	22540308	single	ML 2	2	suitable for insulated mounting
22_BNC-50-0-5/133_NH	22650242	bulk 100 pcs.			

- Bulkhead mounted
- Insulating washers see page 556
- Solder tags see page 557

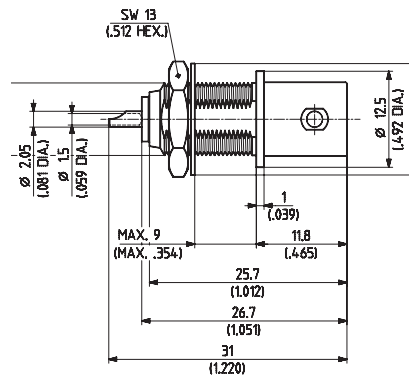


Fig. 1

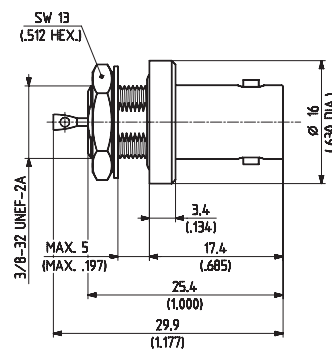


Fig. 2



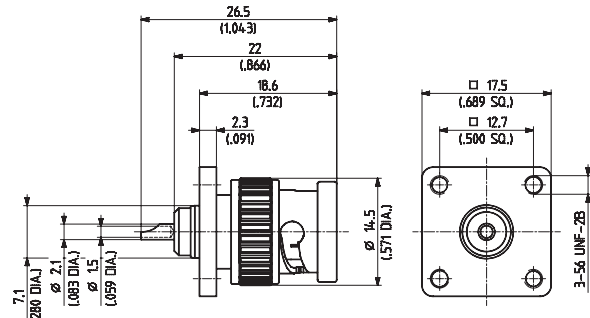
HUBER+SUHNER type	Item no.	Packaging	Mounting hole	Fig.	Notes
22_BNC-50-0-16/133_NE	22540314	single	ML 2	1	suitable for insulated mounting
22_BNC-50-0-24/100_NE ¹⁾	22540321			2	hermetically sealed/body silver plated leak rate ≤ 10 ⁻⁶ Torr l/sec. (atm cc/s)

¹⁾ RoHS compliant alternative on request.

Series BNC 50 Ω - receptacles with solder end

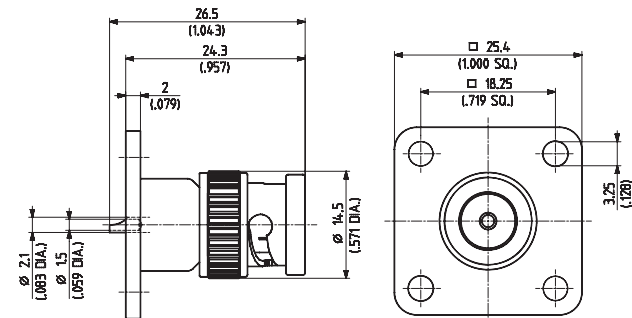
Receptacles, plugs (male)

- Panel mounted



HUBER+SUHNER type	Item no.	Packaging	Mounting hole	Notes
13_BNC-50-0-1/133_NE	22543470	single	ML 6	mounting also possible with screws ISO M 2.5

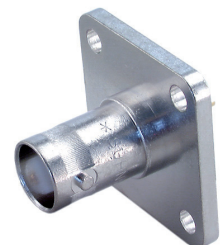
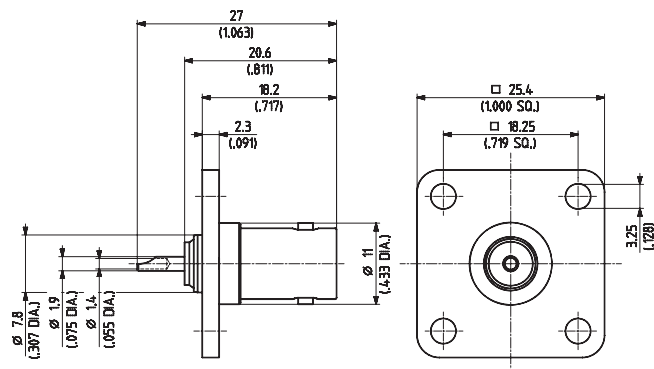
- Panel mounted



HUBER+SUHNER type	Item no.	Packaging	Mounting hole	Notes
13_BNC-50-0-2/133_NE	22540160	single	ML 5	suitable for Sucobox applications, see page 558

Receptacles, jacks (female)

- Panel mounted

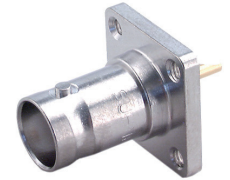
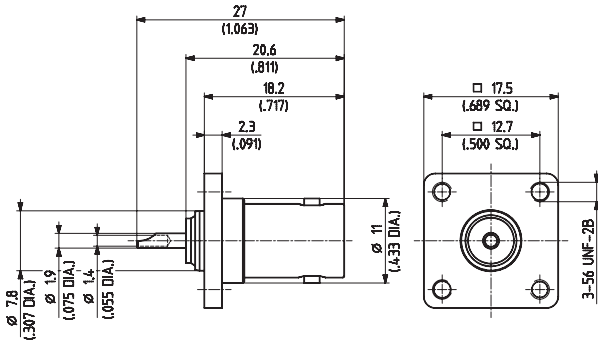


HUBER+SUHNER type	Item no.	Packaging	Mounting hole	Notes
23_BNC-50-0-2/133_NE	22540333	single	ML 5	suitable for Sucobox applications, see page 558

Series BNC 50 Ω - receptacles with solder end

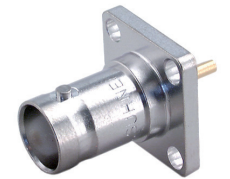
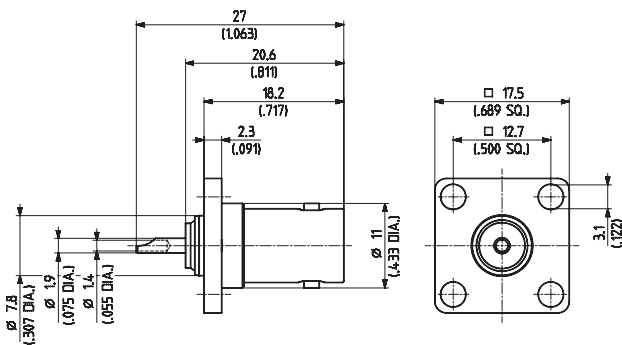
Receptacles, jacks (female)

- Panel mounted



HUBER+SUHNER type	Item no.	Packaging	Mounting hole	Notes
23_BNC-50-0-12/133_NE	22540349	single	ML 6	mounting also possible with screws ISO M 2.5

- Panel mounted



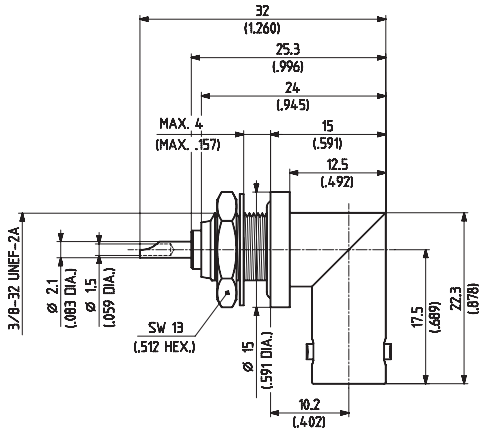
HUBER+SUHNER type	Item no.	Packaging	Mounting hole
23_BNC-50-0-16/133_NE	22540355	single	ML 6

BNC 50 Ω

Series BNC 50 Ω - receptacles with solder end

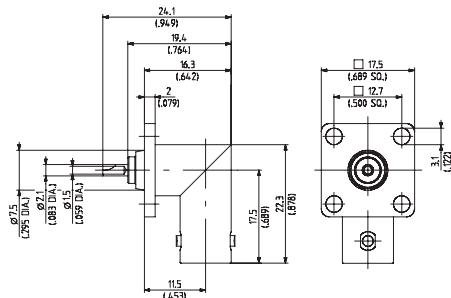
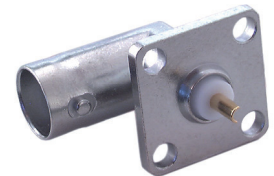
Right angle receptacles, jack (female)

- Bulkhead mounted
- With panel seal
- Insulating washers see page 556



HUBER+SUHNER type	Item no.	Packaging	Mounting hole
27_BNC-50-0-1/133_NE	22540492	single	ML 2

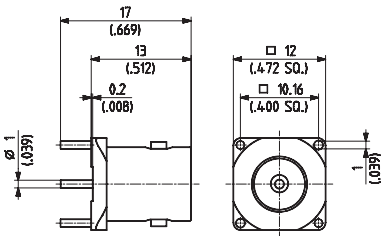
- Panel mounted



HUBER+SUHNER type	Item no.	Packaging	Mounting hole	Notes
28_BNC-50-0-2/133_NE	22540500	single	ML 6	fastening hole d = 3.1 mm/0.12 in

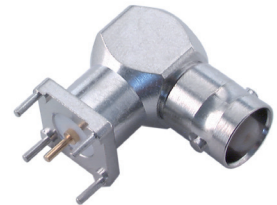
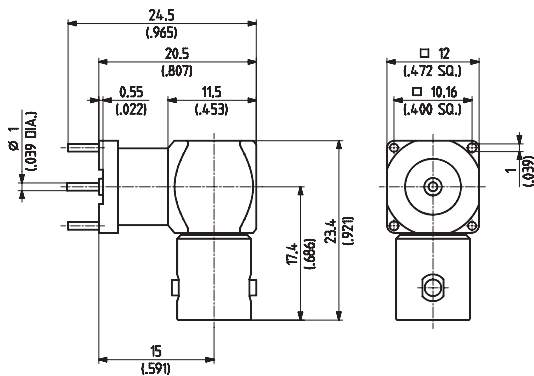
Series BNC 50 Ω - PCB connectors

Straight PCB jacks (female)



HUBER+SUHNER type	Item no.	Packaging	Mounting hole	Notes
82_BNC-50-0-1/133_NE	22645779	single	ML 49	plating body: SUCOPLATE®
82_BNC-50-0-1/133_NH	22543974	bulk 100 pcs.		plating body: SUCOPRO® gold plating
82_BNC-50-0-1/111_NH	23012124	bulk 100 pcs.		

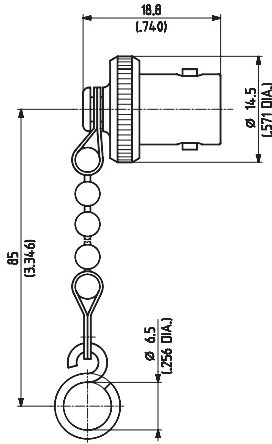
Right angle PCB jacks (female)



HUBER+SUHNER type	Item no.	Packaging	Mounting hole	Notes
85_BNC-50-0-1/133_NE	22540736	single	ML 49	plating body: SUCOPLATE®

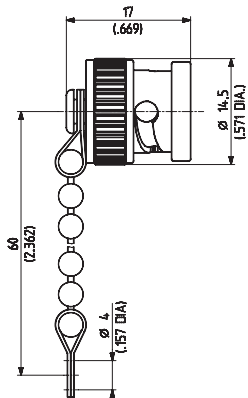
Series BNC 50 Ω – protective caps and shorts

Protective cap for plugs (male)



HUBER+SUHNER type	Item no.	Packaging	Notes
61_BNC-0-0-1/-33_-E	22540660	single	with chain and loop

Protective caps for jacks (female)



HUBER+SUHNER type	Item no.	Packaging	Notes
62_BNC-0-0-1/-33_-E	22540666	single	protective cap with chain
64_BNC-50-0-1/133_NE	22540681		short circuit with chain

Protective caps for jacks (female)

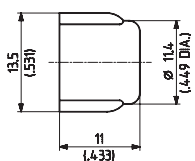


Fig. 1

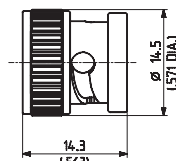


Fig. 2



HUBER+SUHNER type	Item no.	Packaging	Fig.	Notes
62_BNC-0-0-2/-..._-H	22540667	bulk 100 pcs.	1	made of plastic
62_BNC-0-0-3/-33_-E	22540669	single	2	

Series BNC 75 Ω – coaxial miniature connectors

Description

HUBER+SUHNER BNC 75 Ω featuring a two stud bayonet coupling mechanism which is particularly useful for frequently coupled and uncoupled RF connections. At frequencies up to 1 GHz the small impedance deviation is negligible for most applications.

Compatibility

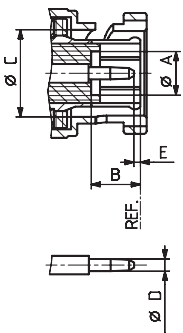
75 Ω BNC connectors and 50 Ω BNC connectors are intermateable without any restrictions.

Contents

Description	311
Compatibility	311
Interface dimensions in mm/inches	311
Technical data	312
Cable connectors	313
Receptacles with solder end	317
PCB connectors	319
Protective caps and shorts	320

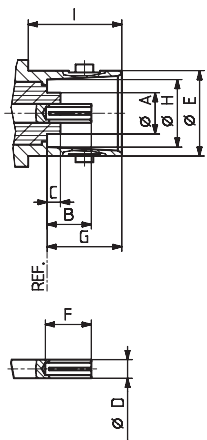
Interface dimensions (mm/inches)

Plug (male)



	Plug		Jack	
	min.	max.	min.	max.
A	4.83/0.190	4.97/0.196	-	4.72/0.186
B	5.28/0.208	5.79/0.228	4.72/0.186	5.23/0.206
C	9.78/0.385	9.91/0.390	1.50/0.059 nom.	
D	1.32/0.052	1.37/0.054	2.10/0.827 nom.	
E	0.08/0.003	1.02/0.040	9.60/0.378	9.70/0.382
F	-	4.95/0.195	-	-
G	-	8.35/0.328	8.48/0.334	-
H	-	-	8.10/0.319	8.15/0.321
I	-	-	10.60/0.417	-

Jack (female)



Interface dimensions conformable to the standards:

International: IEC 61169-8

Series BNC 75 Ω – technical data

Electrical data	Requirements
Impedance	75 Ω
Frequency range	DC to 1 GHz
Dielectric withstanding voltage (at sea level)	1.5 kV rms, 50 Hz (depending on cable)
Working voltage (at sea level)	500 V rms, 50 Hz (depending on cable)
Insulation resistance	$\geq 5 \cdot 10^3$ MΩ
Contact resistance <ul style="list-style-type: none"> • Centre contact • Outer contact 	≤ 1.5 mΩ ≤ 1 mΩ
RF leakage (measured at 1 GHz)	≥ 55 dB

Mechanical data	Requirements
Coupling nut torque	7 to 28 Ncm/0.6 to 2.5 in lbs
Coupling nut retention force	≥ 450 N/101.2 lbs
Contact captivation	≥ 27 N/6.1 lbs
Cable retention force ¹⁾	see pages 32 - 41
Durability (matings)	≥ 500

Environmental data	Requirements
Temperature range	-65 to +165 °C/-85 to +329 °F
Climatic category	IEC → 55/155/21
Thermal shock	MIL-STD-202, method 107, condition B
Moisture resistance	MIL-STD-202, method 106
Corrosion	saltspray test acc. to MIL-STD-202, method 101, condition B
Vibration	MIL-STD-202, method 204, condition B
Shock	MIL-STD-202, method 213, condition G

Material data		
Connector parts	Material	Plating
Bodies	brass	SUCOPLATE®/SUCOPRO® gold plating
Pin contacts	brass	gold/SUCOPRO® gold plating
Socket contacts	copper-beryllium alloy copper alloy	gold/SUCOPRO® gold plating
Crimp ferrules	copper/brass	SUCOPLATE®
Insulators	PTFE or PFA	
Gaskets	silicone rubber	

Performance values are typical for the connector interface. Individual component or connector performance may vary depending on the connector design, attachment (e.g. cable, PCB) or application. For detailed specifications please refer to the specific data sheets on our website www.hubersuhner.com.

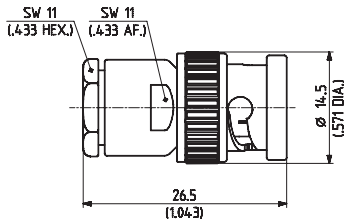
¹⁾ Value considers maximum load of the cables without irreversible variations of specifications.

Series BNC 75 Ω – cable connectors

Straight cable plugs (male)

For flexible cables

- Cable entry clamp
- Centre contact soldered



HUBER+SUHNER type	Item no.	Cable group (example)	Packaging	Assembly instruction
11_BNC-75-2-1/133_NE	22543768	U5 (RG_179_B/U, ENVIROFLEX_179)	single	3005
11_BNC-75-4-3/133_NE	22540758	U6 (RG_59_B/U, RADOX_RF_59)		

For flexible cables

- HUBER+SUHNER full crimp
- Taper sleeves see page 554

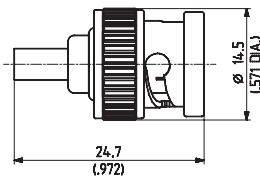


Fig. 1

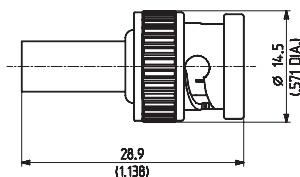


Fig. 2



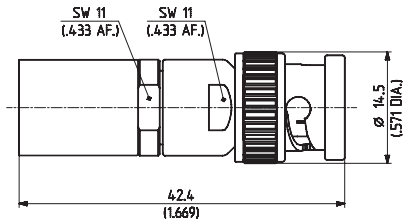
HUBER+SUHNER type	Item no.	Cable group (example)	Packaging	Assembly instruction	Crimp insert	Fig.
11_BNC-75-2-15/133_NE	22641685	U5 (RG_179_B/U, ENVIROFLEX_179)	single	9068	1 A	1
11_BNC-75-2-15/133_NH	22644586		bulk 100 pcs.			
11_BNC-75-3-8/133_NE	22540707	U12 (G_03233)	single	3015	2 B	2
11_BNC-75-3-9/133_NE	22540709	U14 (G_03213_D)	single			
11_BNC-75-4-4/133_NE	22540761	U16 (RG_59_B/U, RADOX_RF_59)	single		2 C	
11_BNC-75-4-4/133_NH	22544846		bulk 100 pcs.			
11_BNC-75-4-6/133_NE	22540765	U18 (G_04133_D)	single			
11_BNC-75-4-6/133_NH	22540766		bulk 100 pcs.			
11_BNC-75-4-30/133_NE	22544636	U17 (S_04233)	single			

Series BNC 75 Ω – cable connectors

Straight cable plugs (male)

For flexible cables

- HUBER+SUHNER full crimp
- Taper sleeves see page 554



HUBER+SUHNER type	Item no.	Cable group (example)	Packaging	Assembly instruction	Crimp insert
11_BNC-75-7-5/133_NE	22540811	U34 (RG_11_A/U)	single	9120	2D
11_BNC-75-7-6/133_NE	22543960	U36 (G_07273_D)			

Right angle cable plugs (male)

For flexible cables

- Cable entry crimp
- Centre contact soldered
- Taper sleeves see page 554

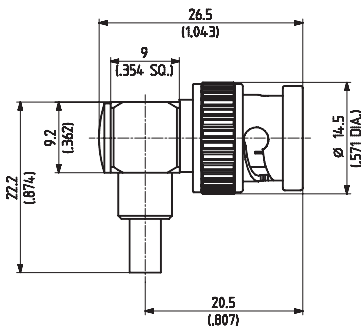


Fig. 1

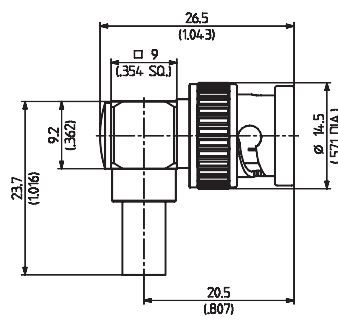
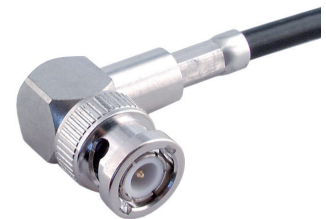


Fig. 2



HUBER+SUHNER type	Item no.	Cable group (example)	Packaging	Assembly instruction	Crimp insert	Fig.
16_BNC-75-2-3/133_NE	22540820	U5 (RG_179_B/U, ENVIROFLEX_179)	single	3079	A	1
16_BNC-75-4-4/133_NE	22540840	U16 (RG_59_B/U, RADOX_RF_59)		3058	C	2

Series BNC 75 Ω – cable connectors

Straight cable jacks (female)

For flexible cables

- HUBER+SUHNER full crimp
- Taper sleeves see page 554

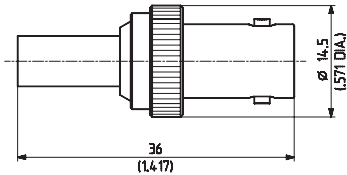


Fig. 1

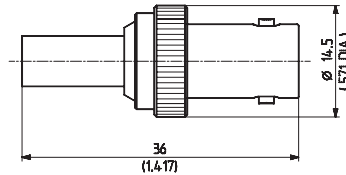


Fig. 2

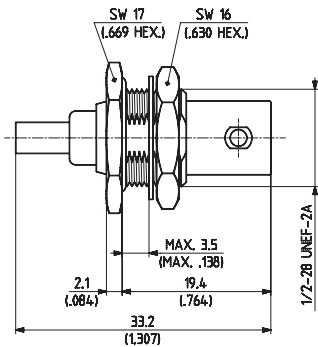


HUBER+SUHNER type	Item no.	Cable group (example)	Packaging	Assembly instruction	Crimp insert	Fig.
21_BNC-75-2-5/133_NE	22641780	U5 (RG_179_B/U, ENVIROFLEX_179)	single	9068	1A	1
21_BNC-75-4-4/133_NE	22540872	U16 (RG_59_B/U, RADOX_RF_59)	single	3015	2 C	2

Straight bulkhead cable jacks (female)

For flexible cables

- HUBER+SUHNER full crimp
- With panel seal
- Insulating washers see page 556
- Taper sleeves see page 554



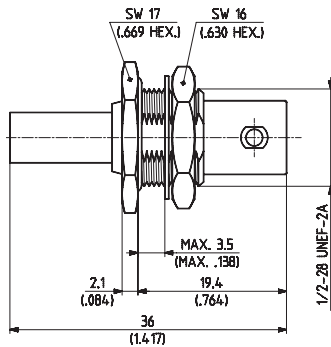
HUBER+SUHNER type	Item no.	Cable group (example)	Packaging	Assembly instruction	Mounting hole	Crimp insert
24_BNC-75-2-6/133_NE	22641786	U5 (RG_179_B/U, ENVIROFLEX_179)	single	9068	ML4	1A
24_BNC-75-2-6/133_NH	22644569	U5 (RG_179_B/U, ENVIROFLEX_179)	bulk 100 pcs.			

Series BNC 75 Ω - cable connectors

Straight bulkhead cable jacks (female)

For flexible cables

- HUBER+SUHNER full crimp
- With panel seal
- Insulating washers see page 556
- Taper sleeves see page 554



HUBER+SUHNER type	Item no.	Cable group (example)	Packaging	Assembly instruction	Mounting hole	Crimp insert
24_BNC-75-4-3/133_NE	22540930	U16 (RG_59_B/U, RADOX_RF_59)	single	3015	ML 4	2 C

Straight panel cable jacks (female)

For flexible cables

- HUBER+SUHNER full crimp
- Taper sleeves see page 554

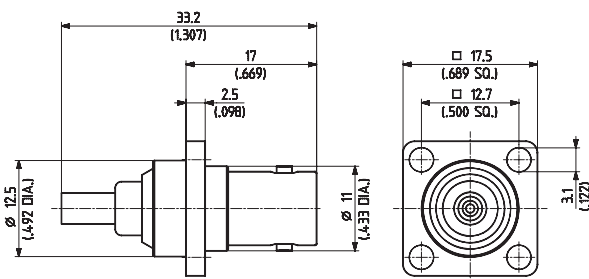
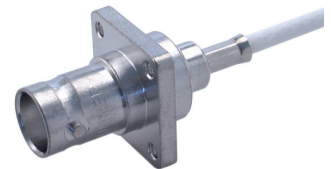


Fig. 1

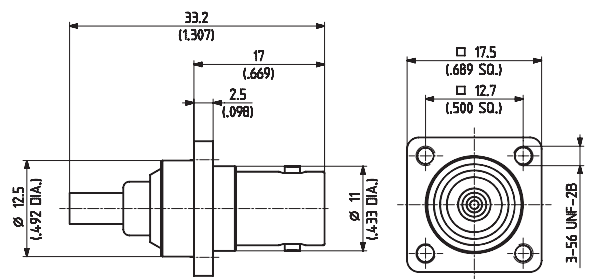


Fig. 2

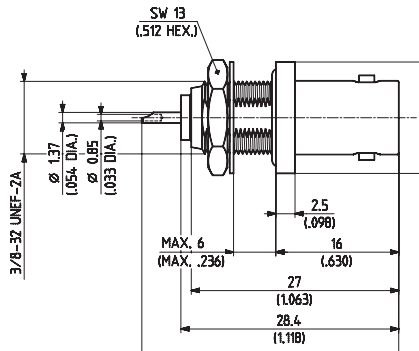
HUBER+SUHNER type	Item no.	Cable group (example)	Packaging	Assembly instruction	Crimp insert	Fig.
25_BNC-75-2-7/133_NE	22641790	U5 (RG_179_B/U, ENVIROFLEX_179)	single	9068	1 A	1
25_BNC-75-2-8/133_NE	22641791					2 ¹⁾

¹⁾ mounting also possible with screws ISO M 2.5

Series BNC 75 Ω – receptacles with solder end

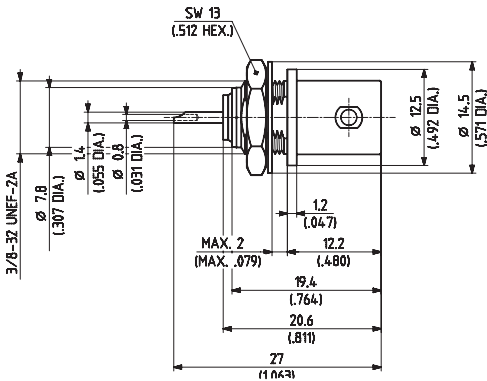
Receptacles, jacks (female)

- Bulkhead mounted
- With panel seal
- Solder tags see page 557
- Insulating washers see page 556



HUBER+SUHNER type	Item no.	Packaging	Mounting hole
22_BNC-75-0-1/133_NE	22540883	single	ML 1

- Bulkhead mounted
- Solder tags see page 557
- Insulating washers see page 556

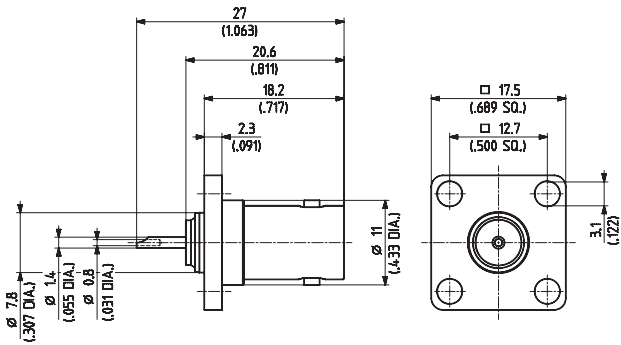


HUBER+SUHNER type	Item no.	Packaging	Mounting hole	Notes
22_BNC-75-0-4/133_NE	22540889	single	ML 2	without panel seal

Series BNC 75 Ω – receptacles with solder end

Receptacles, jacks (female)

- Panel mounted

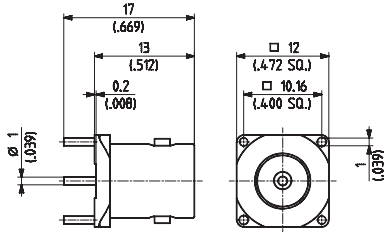


HUBER+SUHNER type	Item no.	Packaging	Mounting hole
23_BNC-75-0-10/133_NE	22540906	single	ML 6

BNC 75 Ω

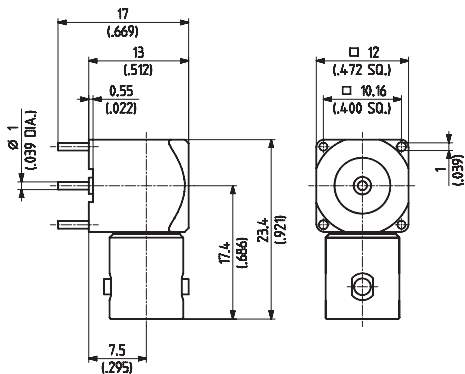
Series BNC 75 Ω – PCB connectors

Straight PCB jacks (female)



HUBER+SUHNER type	Item no.	Packaging	Mounting hole	Plating body
82_BNC-75-0-2/122_NE	22643586	single	ML 49	nickel
82_BNC-75-0-2/122_NH	22646624	bulk 100 pcs.		

Right angle PCB jacks (female)



HUBER+SUHNER type	Item no.	Packaging	Mounting hole
85_BNC-75-0-1/133_NE	22641623	single	ML 49