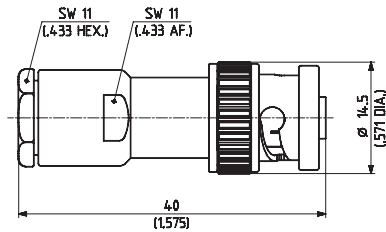


# Series MHV – cable connectors

## Straight cable plugs (male)

- Cable entry clamp
- Center contact soldered



HUBER+SUHNER type	Item no.	Cable group (example)	Packaging	Assembly instruction
11_H4-50-3-1/133_NE <sup>1)</sup>	22541732	U7 (RG_58_C/U, ENVIROFLEX_B58)	single	3012
11_H4-50-4-1/133_NE <sup>1)</sup>	22541742	U16 (RG_59_B/U, RADOX_RF_59)		

- Cable entry crimp
- Taper sleeves see page 554

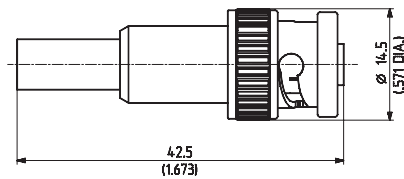


Fig. 1

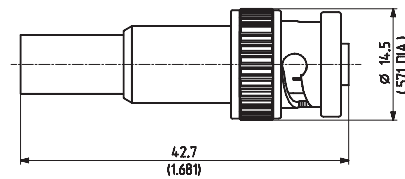


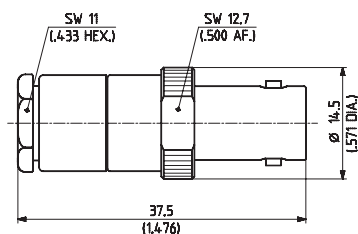
Fig. 2



HUBER+SUHNER type	Item no.	Cable group (example)	Packaging	Assembly instruction	Crimp insert	Fig.
11_H4-50-3-3/133_NE <sup>1)</sup>	22541737	U7 (RG_58_C/U, ENVIROFLEX_B58)	single	3078	B	1
11_H4-50-4-4/133_NE <sup>1)</sup>	22543809	U16 (RG_59_B/U, RADOX_RF_59)			C	2

## Straight cable jacks (female)

- Cable entry clamp
- Center contact soldered



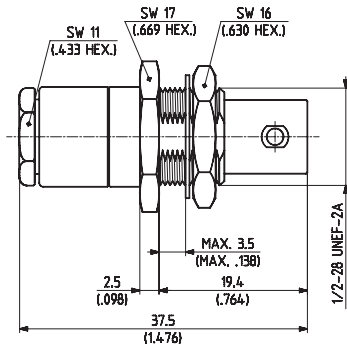
HUBER+SUHNER type	Item no.	Cable group (example)	Packaging	Assembly instruction
21_H4-50-3-1/133_NE <sup>1)</sup>	22541756	U7 (RG_58_C/U, ENVIROFLEX_B58)	single	3012

<sup>1)</sup> Centre contact NOT captivated

# Series MHV - cable connectors

## Straight bulkhead cable jacks (female)

- Cable entry clamp
- Center contact soldered
- With panel seal

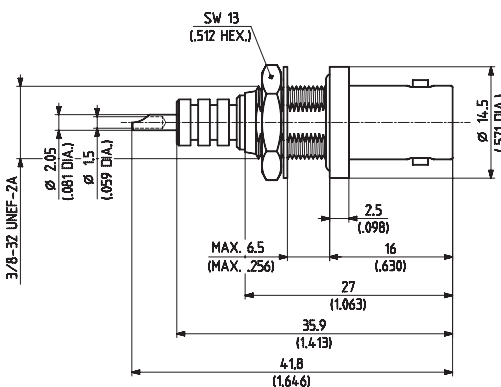


HUBER+SUHNER type	Item no.	Cable group (example)	Packaging	Assembly instruction	Mounting hole
24_H4-50-3-1/133_NE <sup>1)</sup>	22541784	U7 (RG_58_C/U, ENVIROFLEX_B58)	single	3012	ML 4

## Receptacles with solder end

### Receptacles, jacks (female)

- Bulkhead mounted
- With panel seal



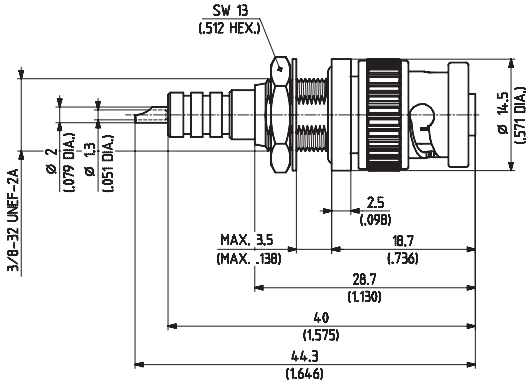
HUBER+SUHNER type	Item no.	Packaging	Mounting hole
22_H4-50-0-1/133_NE	22652095	single	ML 1

<sup>1)</sup> Centre contact NOT captivated

# Series MHV – receptacles with solder end

## Receptacles, plugs (male)

- Bulkhead mounted



HUBER+SUHNER type	Item no.	Packaging	Mounting hole	Notes
12_H4-50-0-1/133_NE	22543467	single	ML 2	with panel seal

## Flange mount, jacks (female)

- Panel mounted

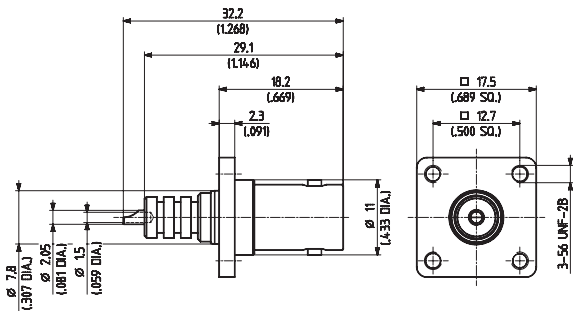


Fig. 1

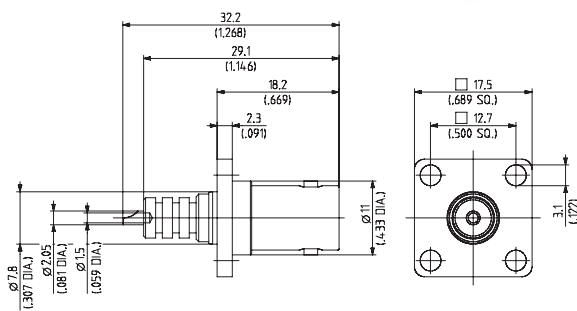


Fig. 2

HUBER+SUHNER type	Item no.	Packaging	Mounting hole	Notes	Fig.
23_H4-50-0-7/133_NE	22541776	single	ML 6	mounting also possible with screws ISO M 2.5	1
23_H4-50-0-8/133_NE	22541779				2