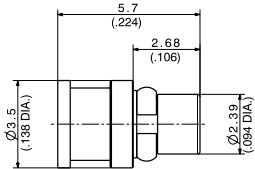


# Series MMPX – cable connectors

## Straight cable plugs (male)

### For semi-rigid cables

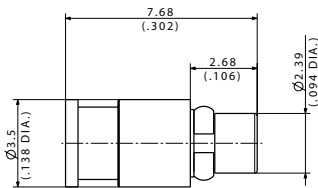
- Outer contact soldered
- Center contact soldered



HUBER+SUHNER type	Item no.	Cable	Packaging	Notes
11_MMPX-50-2-1/111_NE	84022225	EZ_86, SR_86	single	precision interface, air dielectric

### For semi-rigid, semi-flexible and flexible cables

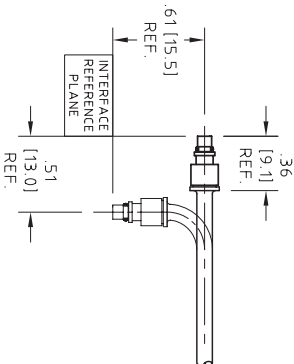
- Outer contact soldered
- Center contact plugged



HUBER+SUHNER type	Item no.	Cable	Packaging	Notes
11_MMPX-50-1-4/111_NE	84122130	MULTIFLEX_53-02	single	for HUBER+SUHNER Multiflex 53-02 cable
11_MMPX-50-2-2/111_NE	84022228	EZ_86, SUCOFORM_86, SR_86		for semi-rigid and HUBER+SUHNER Sucoform cables
11_MMPX-50-2-3/111_NE	84089228	MULTIFLEX_86_HE		for HUBER+SUHNER Multiflex 86 HE cables

### For minibend L assemblies

- Bend to the end cable entry
- Available as assembly only



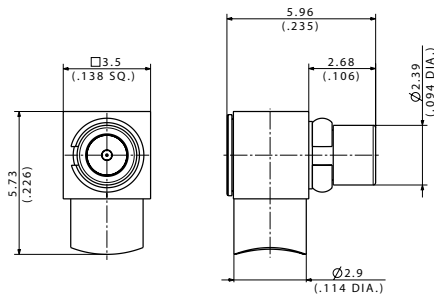
HUBER+SUHNER type	Item no.	Cable	Packaging
11_MMPX-50-0-1/19-_NE	---	Minibend L	single

# Series MMPX – cable connectors

## Right angle cable plugs (male)

For semi-rigid, semi-flexible and flexible cables

- Outer contact soldered
- Center contact plugged

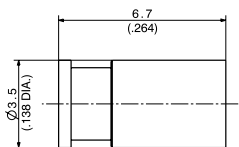


HUBER+SUHNER type	Item no.	Cable	Packaging	Notes
16_MMPX-50-2-1/111_NE	84022227	EZ_86, SUCOFORM_86, SR_86	single	for semi-rigid and HUBER+SUHNER Sucoform cables
16_MMPX-50-2-2/111_NE	84067778	MULTIFLEX_86_HE		for HUBER+SUHNER Multiflex 86 HE cable

## Straight cable jack (female)

For semi-rigid and semi-flexible cables

- Outer contact soldered
- Center contact soldered

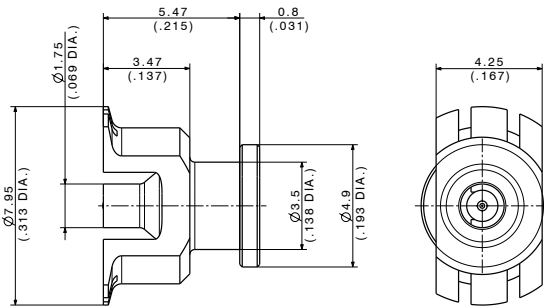


HUBER+SUHNER type	Item no.	Cable size	Packaging
21_MMPX-50-2-1/111_NE	84022226	EZ_86, SUCOFORM_86, SR_86	single

# Series MMPX – PCB connectors

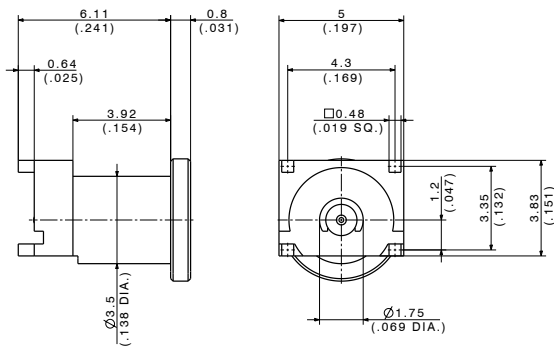
## Straight PCB jacks (female)

- Full surface mount (SMD)
- Decoupling tool 74\_Z-0-0-491 or 74\_Z-0-0-555 recommended



HUBER+SUHNER type	Item no.	Packaging	Notes
82_MMPX-S50-0-2/111_NM	84096711	tape	blister tape containing 10 pcs.
82_MMPX-S50-0-2/111_NM-1	84096752	tape and reel	reeled blister tape containing 750 pcs.

- Semi surface mount (semi-SMD)
- Short print legs
- Decoupling tool 74\_Z-0-0-491 or 74\_Z-0-0-555 recommended

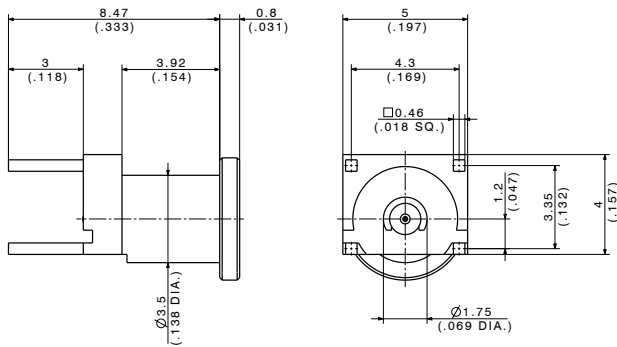


HUBER+SUHNER type	Item no.	Packaging	Notes
96_MMPX-50-0-2/111_NM-1	84093961	tape	blister tape containing 10 pcs.
96_MMPX-50-0-2/111_NM	84093966	tape/reel	reeled blister tape containing 750 pcs.

# Series MMPX – PCB connectors

## Straight PCB jacks (female)

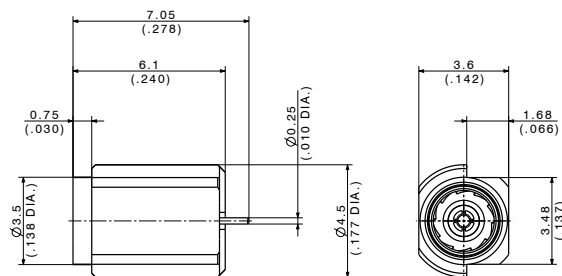
- Semi surface mount (semi-SMD)
- Long print legs



HUBER+SUHNER type	Item no.	Packaging	Notes
96_MMPX-50-0-3/111_NM-1	84099981	tape	blister tape containing 10 pcs.
96_MMPX-50-0-3/111_NM	84099988	tape and reel	reeled blister tape containing 500 pcs.

## Straight PCB jacks (female), edge-mount

- Full surface mount (SMD)
- PCB cut out required
- Decoupling tool 74\_Z-0-0-491 or 74\_Z-0-0-555 recommended

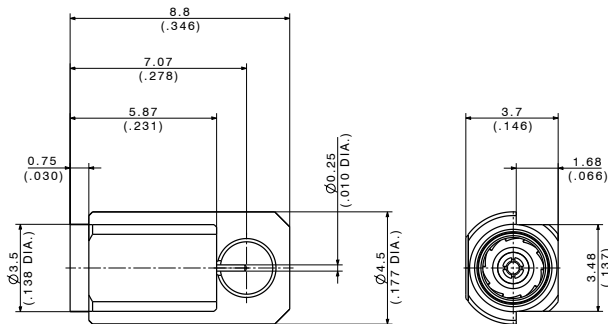


HUBER+SUHNER type	Item no.	Packaging	Notes
92_MMPX-S50-0-1/111_NM	84009138	tape	blister tape containing 10 pcs.
92_MMPX-S50-0-1/111_NM-1	84009140	tape and reel	reeled blister tape containing 500 pcs.

# Series MMPX – PCB connectors

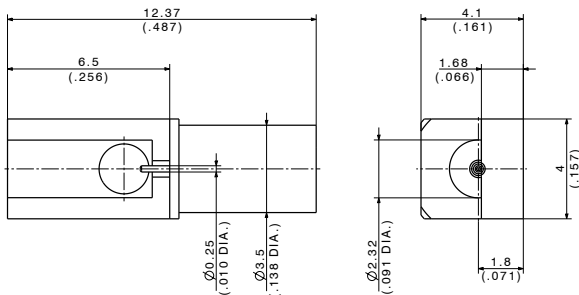
## Straight PCB jacks (female), edge-mount

- Full surface mount (SMD)
- PCB cut out required
- Extra shielded for EMF sensitive applications
- Operating range at up to 26.5 GHz
- Decoupling tool 74\_Z-0-0-491 or 74\_Z-0-0-555 recommended



HUBER+SUHNER type	Item no.	Packaging
92_MMPX-S50-0-2/111_NE	84016110	single

- Full surface mount (SMD)
- No PCB cut-out required
- Operating range at up to 15 GHz
- Decoupling tool 74\_Z-0-0-491 or 74\_Z-0-0-555 recommended



HUBER+SUHNER type	Item no.	Packaging	Notes
92_MMPX-S50-0-3/111_NM-1	84100614	tape	blister tape containing 10 pcs.
92_MMPX-S50-0-3/111_NM	84096563	tape and reel	blister tape containing 1750 pcs.