

Series N 50 Ω – cable connectors

Straight cable plugs (male)

For semi-rigid cables

- Cable entry soldered
- Centre contact soldered

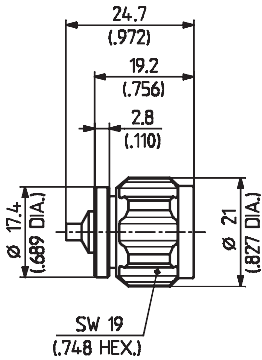


Fig. 1

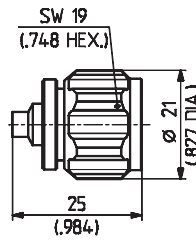
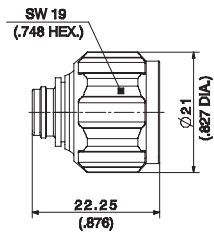


Fig. 2

HUBER+SUHNER type	Item no.	Cable group	Packaging	Assembly instruction	Weight	Fig.
11_N-50-2-15/113_UE	22660315	Y3, Y11, Y16 (EZ_86)	single	3095	25.6 g/0.90 oz.	1
11_N-50-3-13/113_NE	22542083	Y5, Y12, Y17 (EZ_141)			29.0 g/1.02 oz.	2

For Sucoform cables

- Cable entry soldered
- Centre contact soldered



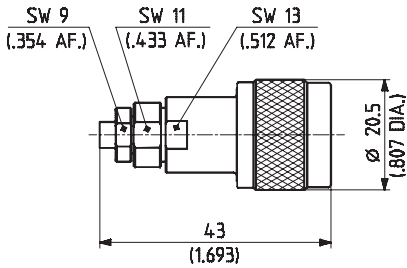
HUBER+SUHNER type	Item no.	Cable group	Packaging	Assembly instruction	Weight	Fig.
11_N-50-5-18/103_NH	84008445	Y7, Y13, Y14 (SUCOFORM_250-01)	bulk 100 pcs.	0000215552	21.9 g/0.77 oz.	1

Series N 50 Ω – cable connectors

Straight cable plugs (male)

For semi-rigid cables

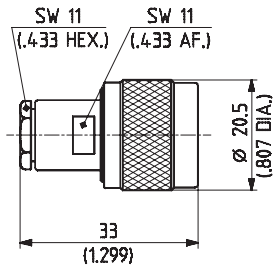
- Cable entry soldered
- Centre contact plugged-in
- Frequency range: DC to 18 GHz



HUBER+SUHNER type	Item no.	Cable group	Packaging	Assembly instruction	Weight
11_N-50-3-51/133_NE	22543919	Y5, 12 (EZ_141)	single	9006	43.0 g/1.51 oz. ¹⁾

For flexible cables

- Cable entry clamp
- Centre contact soldered



HUBER+SUHNER type	Item no.	Cable group	Packaging	Assembly instruction	Weight
11_N-50-2-1/133_NE	22544030	U2 (RG_316_/U, ENVIROFLEX_316)	single	3017	38.0 g/1.33 oz.
11_N-50-2-2/133_NE	22643807	U4 (K_02252_D, ENVIROFLEX_316_D)			38.0 g/1.33 oz.
11_N-50-3-5/133_NE	22542073	U7, U9, U11, X25 (RG_58_C/U, ENVIROFLEX_B58)			36.0 g/1.26 oz.

¹⁾ Stainless steel

Series N 50 Ω – cable connectors

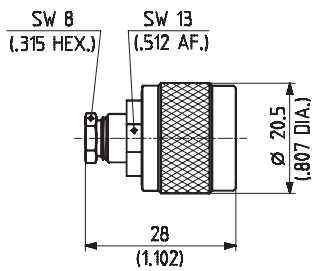
Straight cable plugs (male)

Precision connector – low VSWR

For flexible cables

- Cable entry clamp
- Centre contact soldered
- VSWR:

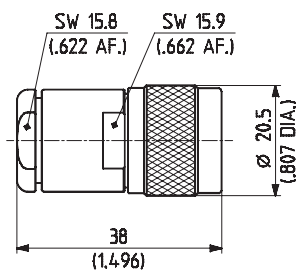
DC to 4 GHz	4 to 10 GHz	10 to 12.4 GHz
≤ 1.10	≤ 1.20	≤ 1.25



HUBER+SUHNER type	Item no.	Cable group	Packaging	Assembly instruction	Weight
11_N-50-3-54/133_NE	22642009	U9, U11, X25 (RG_223_/U, ENVIROFLEX_B223)	single	9099	32.0 g/1.12 oz.

For flexible cables

- Cable entry clamp
- Centre contact soldered



HUBER+SUHNER type	Item no.	Cable group	Packaging	Assembly instruction	Weight
11_N-50-7-5/133_NE ¹⁾	22542117	U29, U32, X11 (RG_214_/U, ENVIROFLEX_B214)	single	3007	51.0 g/1.79 oz.
11_N-50-7-6/133_NE	22542120			3008	51.0 g/1.79 oz.
11_N-50-7-82/133_NE ²⁾	84081597	U30 (SPUMA_400, SPUMA_400-FR-01)		253737	55.0 g/1.94 oz.

¹⁾ Centre contact NOT captivated

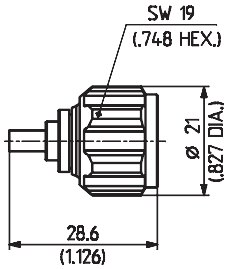
²⁾ Centre contact plugged

Series N 50 Ω – cable connectors

Straight cable plugs (male)

For flexible cables

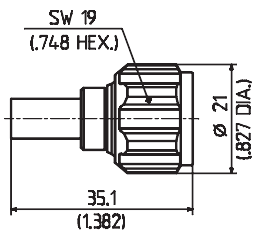
- HUBER+SUHNER full crimp
- Taper sleeves see page 554



HUBER+SUHNER type	Item no.	Cable group	Packaging	Assembly instruction	Crimp insert	Weight
11_N-50-2-11/133_NH	22658813	U2 (RG_316_/U, ENVIROFLEX_316_D)	bulk 100 pcs.	9068	1 A	26.5 g/0.93 oz.
11_N-50-2-16/133_NE	23014128	U4 (K_02252_D, ENVIROFLEX_316_D)	single			25.4 g/0.89 oz.

For flexible cables

- HUBER+SUHNER full crimp
- Taper sleeves see page 554



HUBER+SUHNER type	Item no.	Cable group	Packaging	Assembly instruction	Crimp insert	Weight
11_N-50-3-28/133_NE	22642842	U7 (RG_58_C/U, ENVIROFLEX_B58)	single	3015	2 B	23.0 g/0.81 oz.
11_N-50-3-29/133_NE	22642843	U9, U39 (RG_223_/U, ENVIROFLEX_B223)	single	3015	2 B	23.0 g/0.81 oz.
11_N-50-3-31/133_NE 11_N-50-3-31/133_NH	22648829 22650658	U11, U41 (RG_400_/U, ENVIROFLEX_400)	single bulk 100 pcs.	3015	2 B	28.0 g/0.98 oz.
11_N-50-4-63/133_NE	22652069	S16 (SX_04172_B-60)	single	3015	2 C	27.3 g/0.96 oz.

Series N 50 Ω – cable connectors

Straight cable plugs (male)

For flexible cables

- Cable entry crimp
- Centre contact plugged-in
- Taper sleeves see page 554

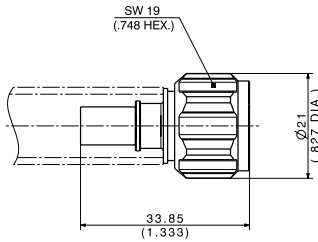


Fig. 1

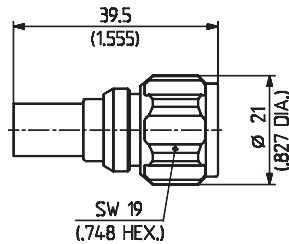


Fig. 2

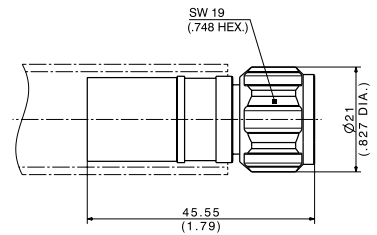


Fig. 3

HUBER+SUHNER type	Item no.	Cable group	Packaging	Assembly instruction	Crimp insert	Weight	Fig.
11_N-50-4-11/133_NH	84110 888	X28 (SPUMA_240, SPUMA_240-FR-01)	bulk 100 pcs.	291824	6.50	24.3 g/0.86 oz.	1
11_N-50-6-10/133_NH	22660330	S24 (S_06162_D-03)	bulk 100 pcs.	270891	8.65	29.5 g/1.03 oz.	2
11_N-50-12-20/033_E	85009711	X29 (SPUMA_600)	single	420913	14.5	39.0 g/1.37 oz.	3

For flexible cables

- HUBER+SUHNER full crimp
- Taper sleeves see page 554

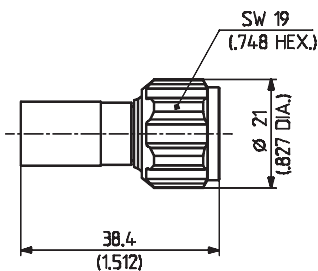


Fig. 1

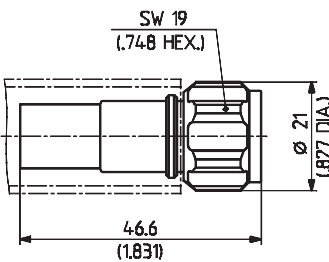


Fig. 2

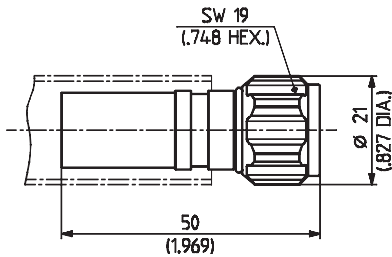
HUBER+SUHNER type	Item no.	Cable group	Packaging	Assembly instruction	Crimp insert	Weight	Fig.
11_N-50-7-43/133_NE	22642844	U29, U42 (RG_213_/U, RADOX_RF_213)	single	3061	3 D	28.0 g/0.98 oz.	1
11_N-50-7-44/133_NE	22642845	U32, U43 (RG_214_/U, ENVIROFLEX_B214)		3061	3 D	28.0 g/0.98 oz.	1
11_N-50-7-49/133_NE	22652111	S32 (S_07262_BD)		9067	4 D	40.0 g/1.40 oz.	2
11_N-50-7-61/133_NE	22651793	U33 (RG_393_/U, ENVIROFLEX_393)		27070	2.5 D	28.5 g/1.00 oz.	1
11_N-50-7-69/133_NE	22660143	U30, X32 (SPUMA_400-FR-01, SPUMA_400-RS-FR)		311731	4 D	35.0 g/1.23 oz.	2

Series N 50 Ω - cable connectors

Straight cable plugs (male)

For flexible cables

- Cable entry crimp
- Centre contact plugged-in
- Degree of protection IP67

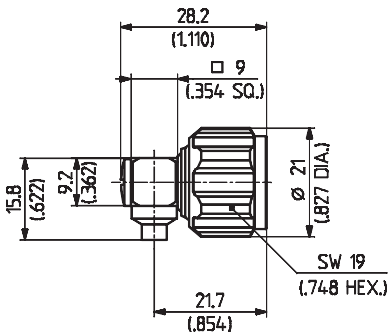


HUBER+SUHNER type	Item no.	Cable group	Packaging	Assembly instruction	Crimp insert	Weight
11_N-50-10-5/103_UV	23002543	S39 (S_10162_B-11)	bulk 20 pcs.	27356	12.4	37.8 g/1.32 oz.

Right angle cable plugs (male)

For semi-rigid cables

- Cable entry soldered
- Centre contact soldered



HUBER+SUHNER type	Item no.	Cable group	Packaging	Assembly instruction	Weight
16_N-50-3-15/133_NE	22648832	Y5, Y12, Y17 (EZ_141)	single	9200	29.1 g/1.02 oz.

Series N 50 Ω – cable connectors

Right angle cable plugs (male)

For flexible cables

- Cable entry clamp
- Centre contact soldered

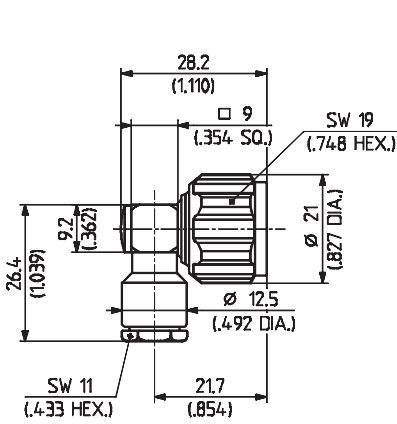


Fig. 1

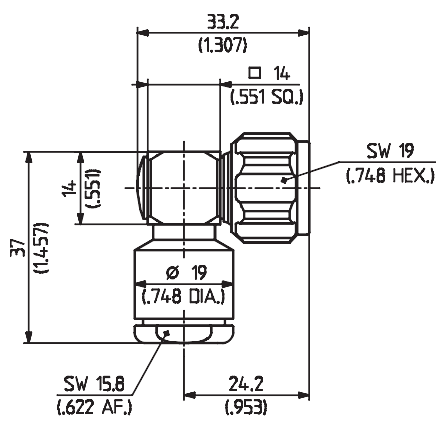


Fig. 2

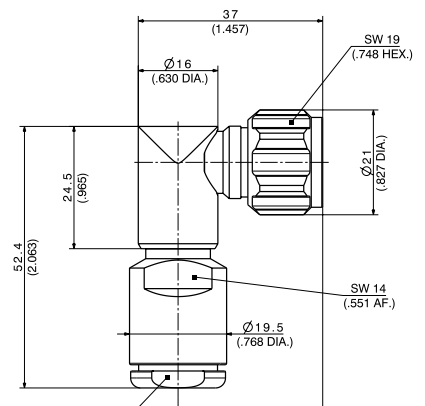


Fig. 3

HUBER+SUHNER type	Item no.	Cable group	Packaging	Assembly instruction	Weight	Fig.
16_N-50-3-103/133_NE	22651610	U7, U9, U11 (RG_223_/U, ENVIROFLEX_B223)	single	27060	37.0 g/1.30 oz.	1
16_N-50-7-26/133_NE	22650825	U29, U32 (RG_214_/U, ENVIROFLEX_B214)		27121	65.0 g/2.28 oz.	2
16_N-50-7-50/133_NE ¹⁾	84082125	U30 (SPUMA_400, SPUMA_400-FR-01)		253737	87.0 g/3.07 oz.	3

¹⁾ Centre contact plugged

Series N 50 Ω - cable connectors

Right angle cable plugs (male)

For flexible cables

- Cable entry crimp
- Centre contact soldered
- Taper sleeves see page 554

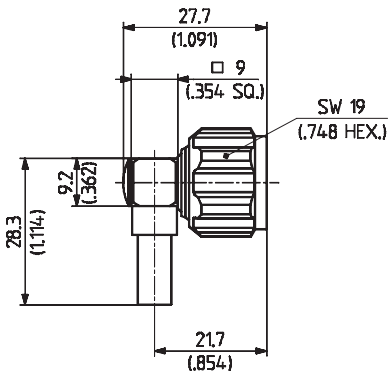


Fig. 1

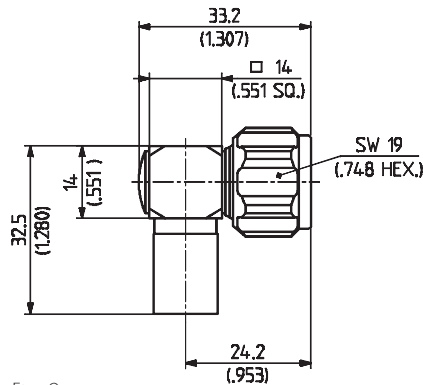
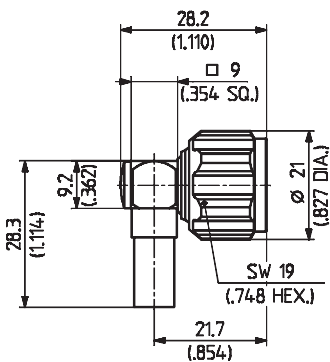


Fig. 2

HUBER+SUHNER type	Item no.	Cable group	Packaging	Assembly instruction	Crimp insert	Weight	Fig.
16_N-50-3-26/133_NE	22642846	U7 (RG_58_C/U, ENVIROFLEX_B58)	single	3058	B	270 g/0.95 oz.	1
16_N-50-3-27/133_NE 16_N-50-3-27/133_NH	22642847 22650168	U9, U11, U39 (RG_223_/U, ENVIROFLEX_B223)	single bulk 100 pcs.	3058	B	270 g/0.95 oz.	
16_N-50-7-30/133_NE	22642848	U29 (RG_213_/U, RADOX_RF_213)	single	3076	D	42.0 g/1.47 oz.	2
16_N-50-7-31/133_NE	22642849	U32 (RG_214_/U, ENVIROFLEX_B214)		3076	D	42.0 g/1.47 oz.	

For flexible cables

- Cable entry crimp
- Centre contact soldered
- Taper sleeves see page 554



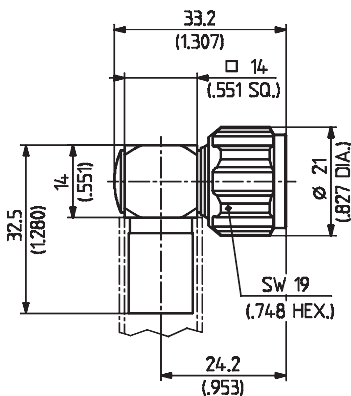
HUBER+SUHNER type	Item no.	Cable group	Packaging	Assembly instruction	Crimp insert	Weight
16_N-50-4-14/133_NE	23015067	S16 (S_04262_D-09)	single	3058	C	31.7 g/1.11 oz.

Series N 50 Ω - cable connectors

Right angle cable plugs (male)

For flexible cables

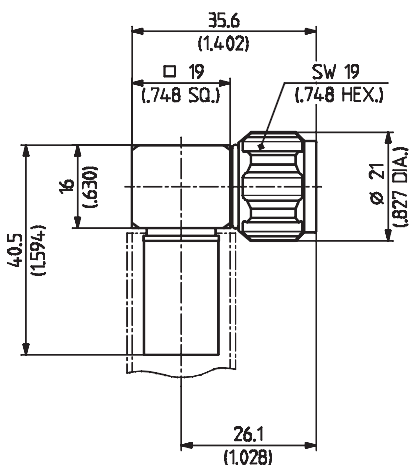
- Cable entry crimp
- Centre contact soldered
- Taper sleeves see page 554



HUBER+SUHNER type	Item no.	Cable group	Packaging	Assembly instruction	Crimp insert	Weight
16_N-50-7-22/133_NE	22651794	S32 (S_07262_BD)	single	9094	D	50.0 g/1.75 oz.

For flexible cables

- Cable entry crimp
- Centre contact soldered
- Degree of protection IP67
- Taper sleeves see page 554



HUBER+SUHNER type	Item no.	Cable group	Packaging	Assembly instruction	Crimp insert	Weight
16_N-50-10-1/103_UV	23002552	S39 (S_10162_B-11)	bulk 20 pcs.	27357	12.4	50.0 g/1.75 oz. ¹⁾

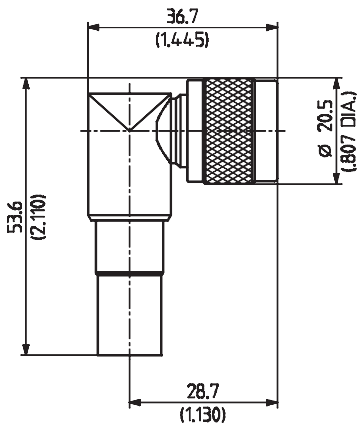
¹⁾ Centre contact not nickel underplated

Series N 50 Ω – cable connectors

Right angle cable plugs (male)

For flexible cables

- HUBER+SUHNER full crimp
- Taper sleeves see page 554

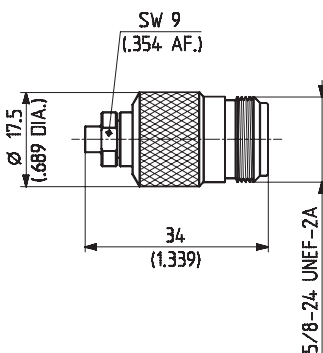


HUBER+SUHNER type	Item no.	Cable group	Packaging	Assembly instruction	Crimp insert	Weight
16_N-50-7-28/133_NE	22652040	U33 (RG_393_/U, ENVIROFLEX_B393)	single	27064	4 D	63.6 g/2.23 oz.
16_N-50-7-29/133_NE	22651494	U29, U42 (RG_213_/U, RADOX_RF_213)		9009	3 D	65.0 g/2.28 oz.
16_N-50-7-36/133_NE	22651495	U32, U43 (RG_214_/U, ENVIROFLEX_B214)		9009	3 D	66.0 g/2.31 oz.

Straight cable jacks (female)

For semi-rigid cables

- Cable entry soldered
- Centre contact soldered



HUBER+SUHNER type	Item no.	Cable group	Packaging	Assembly instruction	Frequency range (GHz)	Weight
21_N-50-2-14/133_NE ¹⁾	22642666	Y3, Y11, Y16 (EZ_86)	single	9073	DC to 18	38.0 g/1.33 oz.
21_N-50-3-11/133_NE ¹⁾	22543921	Y5, Y12, Y17 (EZ_141)		9005	DC to 18	38.0 g/1.33 oz.

¹⁾ Centre contact not nickel underplated

N 50 Ω

Series N 50 Ω - cable connectors

Straight cable jacks (female)

For flexible cables

- Cable entry clamp
- Centre contact soldered

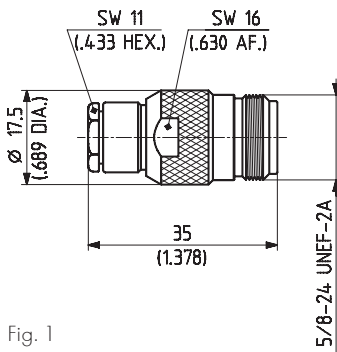


Fig. 1

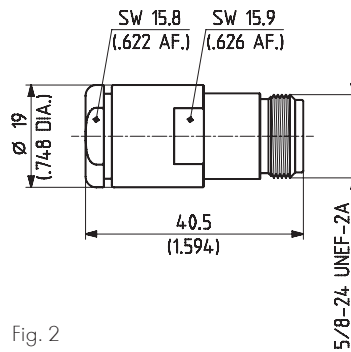


Fig. 2

HUBER+SUHNER type	Item no.	Cable group	Packaging	Assembly instruction	Weight	Fig.
21_N-50-3-5/133_NE	22543504	U7, U9, U11 (RG_223_/U, ENVIROFLEX_B223)	single	3017	38.0 g/1.33 oz.	1
21_N-50-7-8/133_NE	22542254	U29, U32, X11 (RG_213_/U, RADOX_RF_213)		3008	50.0 g/1.75 oz.	2

For flexible cables

- HUBER+SUHNER full crimp
- Taper sleeves see page 554

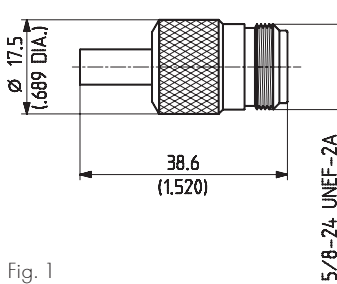


Fig. 1

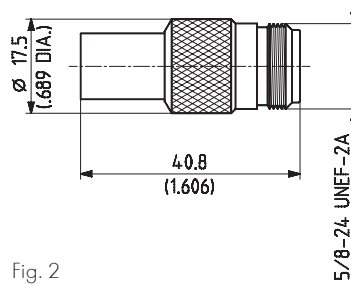


Fig. 2

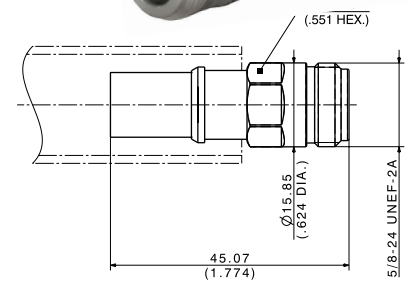


Fig. 3

HUBER+SUHNER type	Item no.	Cable group	Packaging	Assembly instruction	Crimp insert	Weight	Fig.
21_N-50-3-7/133_NE	22542229	U7 (RG_58_C/U, ENVIROFLEX_B58)	single	3063	2 B	36.0 g/1.26 oz.	1
21_N-50-3-8/133_NE	22542231	U9, U39 (RG_223_/U, ENVIROFLEX_B223)		3063	2 B	36.0 g/1.26 oz.	1
21_N-50-3-12/133_NE	22651795	U11, U41 (RG_400_/U, ENVIROFLEX_400)		3063	2 B	35.0 g/1.23 oz.	1
21_N-50-7-13/133_NE	22542257	U29, U42 (RG_213_/U, RADOX_RF_213)		3061	3 D	38.0 g/1.33 oz.	2
21_N-50-7-14/133_NE	22542258	U32, U43 (RG_214_/U, ENVIROFLEX_B214)		3061	3 D	37.0 g/1.30 oz.	2
21_N-50-7-32/133_NE	84119763	U30, X32 (SPUMA_400, SPUMA_400-FR-01, SPUMA_400-RS-FR)		344575	4 D	31.5 g/1.11 oz.	3

Cable groups see page 32

Assembly tools see page 531

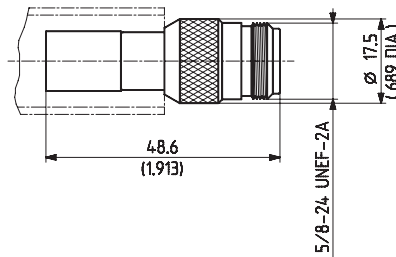
Mounting holes/PCB layouts see page 561

Series N 50 Ω - cable connectors

Straight cable jacks (female)

For flexible cables

- HUBER+SUHNER full crimp
- Taper sleeves see page 554
- Degree of protection IP66



HUBER+SUHNER type	Item no.	Cable group	Packaging	Assembly instruction	Crimp insert	Weight
21_N-50-7-20/133_NE	22651796	S32 (S_07262_BD)	single	9067	4 D	37.0 g/1.30 oz.

For flexible cables

- Cable entry crimp
- Centre contact plugged-in
- Degree of protection IP67

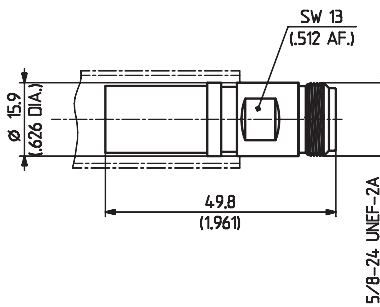
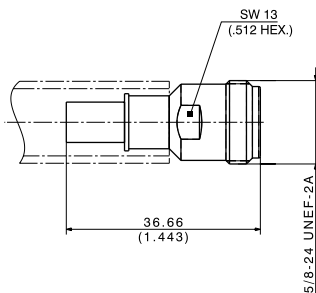


Fig. 2

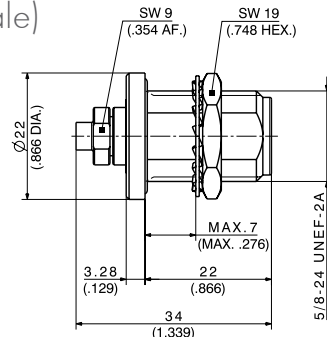
Fig. 1

HUBER+SUHNER type	Item no.	Cable group	Packaging	Assembly instruction	Crimp insert	Weight	Fig.
21_N-50-4-6/133_NH	84110983	S28 (SPUMA_240)	bulk 100 pcs.	291867	6.5	22.8 g/0.8 oz.	1
21_N-50-10-1/133_UF ¹⁾	23003072	S39 (S_10162_B-11)	bulk 50 pcs.	27356	12.4	38.1 g/1.33 oz.	2

Straight bulkhead cable jacks (female)

For semi-rigid cables

- Cable entry soldered
- Centre contact soldered
- Mounting hole M12
- With panel seal
- Insulating washers see page 556



HUBER+SUHNER type	Item no.	Cable group	Packaging	Assembly instruction	Frequency range (GHz)	Weight
24_N-50-2-14/133_NE	22544637	Y3, Y11, Y16 (EZ_86)	single	9073	DC to 12.4	39.0 g/1.37 oz.
24_N-50-3-14/133_NE	22542300	Y5, Y12, Y17 (EZ_141)		9005	DC to 12.4	39.0 g/1.37 oz.

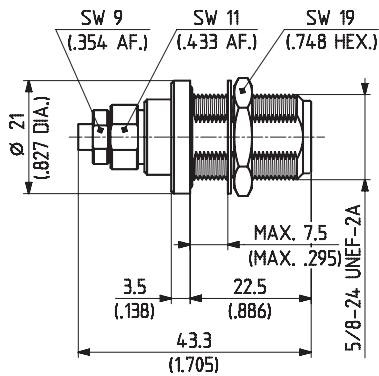
¹⁾ Centre contact not nickel underplated

Series N 50 Ω – cable connectors

Straight cable jacks (female)

For semi-rigid cables

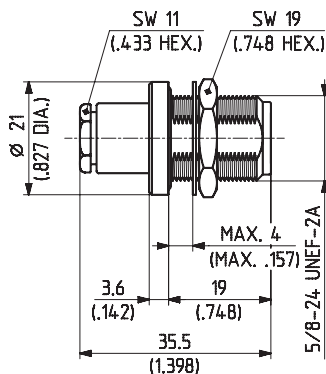
- Cable entry soldered
- Centre contact plugged-in
- Body material: stainless steel
- Mounting hole ML 12
- With panel seal
- Insulating washers see page 556



HUBER+SUHNER type	Item no.	Cable group	Packaging	Assembly instruction	Frequency range (GHz)	Weight
24_N-50-3-51/19_NE	22642344	Y5, Y12 (EZ_141)	single	9006	DC to 18	45.0 g/1.58 oz.

For flexible cables

- Cable entry clamp
- Centre contact soldered
- With panel seal
- Insulating washers see page 556



HUBER+SUHNER type	Item no.	Cable group	Packaging	Assembly instruction	Mounting hole	Weight
24_N-50-2-1/133_NE	22641239	U2 (RG_316_/U, ENVIROFLEX_316)	single	9150	ML 12	42.0 g/1.47 oz.

Series N 50 Ω - cable connectors

Straight bulkhead cable jacks (female)

For flexible cables

- Cable entry clamp
- Centre contact soldered
- With panel seal
- Insulating washers see page 556

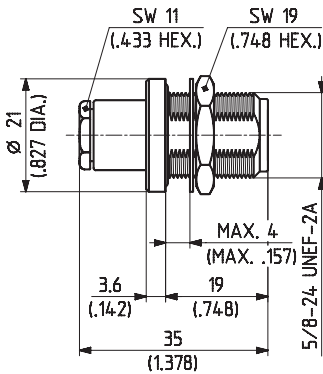


Fig. 1

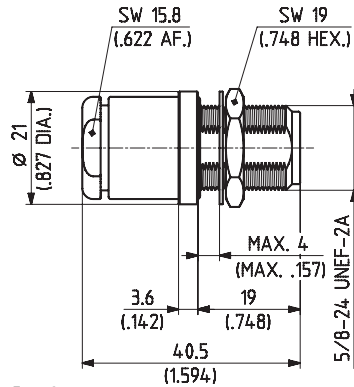


Fig. 2

HUBER+SUHNER type	Item no.	Cable group	Packaging	Assembly instruction	Mounting hole	Weight	Fig.
24_N-50-3-10/133_NE	22542295	U7, U9, U11 (RG_58_C/U, ENVIROFLEX_B58)	single	9150	ML 12	41.0 g/1.44 oz.	1
24_N-50-7-8/133_NE	22542323	U29, U32 (RG_214_/U, ENVIROFLEX_B214)		3008	ML 12	53.0 g/1.86 oz.	2

For flexible cables

- HUBER+SUHNER full crimp
- Taper sleeves see page 554
- Insulating washers see page 556
- Mounting hole ML 12

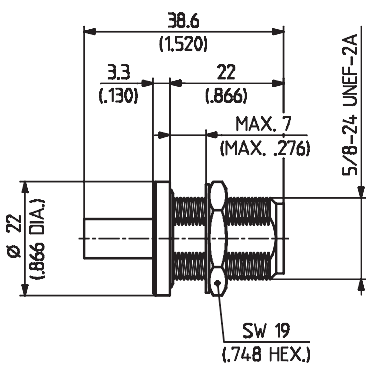


Fig. 1

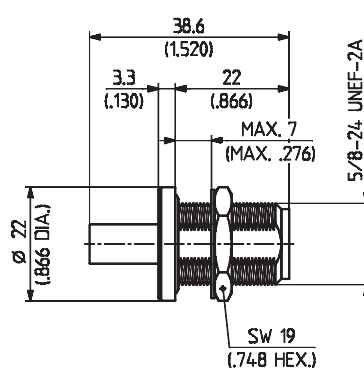


Fig. 2

HUBER+SUHNER type	Item no.	Cable group	Packaging	Assembly instruction	Crimp insert	Weight	Fig.
24_N-50-2-4/133_NE	22650170	U2 (RG_316_/U, ENVIROFLEX_316)	single	9068	1 A	35.2 g/1.23 oz.	1
24_N-50-2-117/133_NE	22660124	U4 (K_02252_D, ENVIROFLEX_316_D)		9068	1 A	36.1 g/1.26 oz.	1
24_N-50-4-17/133_UE	22651789	S16 (S_04262_D-09)		3063	2 C	37.3 g/1.31 oz.	2 ¹⁾

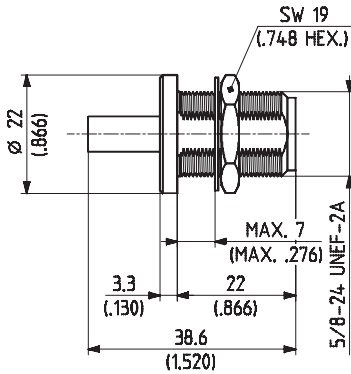
* Has to be crimped with large crimp tool or table press! Centre contact not nickel underplated

Series N 50 Ω – cable connectors

Straight bulkhead cable jacks (female)

For flexible cables

- HUBER+SUHNER full crimp
- Taper sleeves see page 554
- Insulating washers see page 556
- Mounting hole ML 12

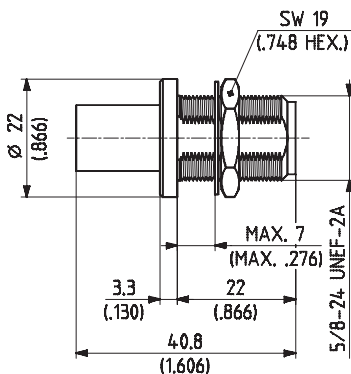


HUBER+SUHNER type	Item no.	Cable group	Packaging	Assembly instruction	Crimp insert	Weight
24_N-50-3-11/133_NE	22542296	U7 (RG_58_C/U, ENVIROFLEX_B58)	single	3063	2 B	38.0 g/1.33 oz. *
24_N-50-3-12/133_NE	22542297	U9 (RG_223_/U, ENVIROFLEX_B223)				

* Has to be crimped with large crimp tool or table press!

For flexible cables

- HUBER+SUHNER full crimp
- Taper sleeves see page 554
- Insulating washers see page 556
- Mounting hole ML 12



HUBER+SUHNER type	Item no.	Cable group	Packaging	Assembly instruction	Crimp insert	Weight
24_N-50-7-14/133_NE	22542326	U29, U42 (RG_213_/U, RADOX_RF_213)	single	3061	3 D	40.0 g/1.40 oz.
24_N-50-7-15/133_NE	22542327	U32 (RG_214_/U, ENVIROFLEX_B214)				

Cable groups see page 32

Assembly tools see page 531

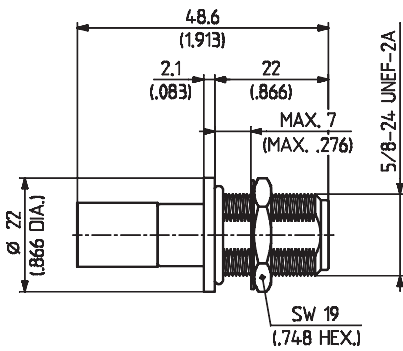
Mounting holes/PCB layouts see page 561

Series N 50 Ω - cable connectors

Straight bulkhead cable jacks (female)

For flexible cables

- HUBER+SUHNER full crimp
- Taper sleeves see page 554
- Insulating washers see page 556
- Mounting hole ML 12



HUBER+SUHNER type	Item no.	Cable group	Packaging	Assembly instruction	Crimp insert	Weight
24_N-50-7-24/133_NE	22649912	U33 (RG_393_/U, ENVIROFLEX_393)	single	27064	4 D	39.3 g/1.38 oz.

Series N 50 Ω – cable connectors

Straight panel cable jacks (female)

For semi-rigid cables

- Cable entry soldered
- Centre contact soldered
- Mounting hole ML 14

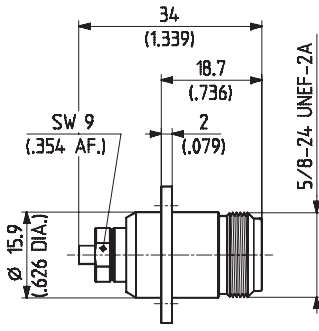


Fig. 1

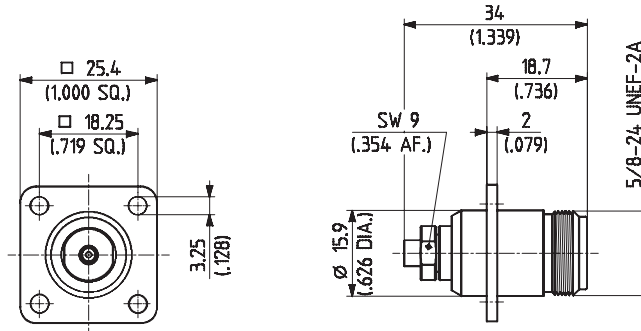
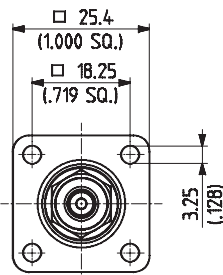
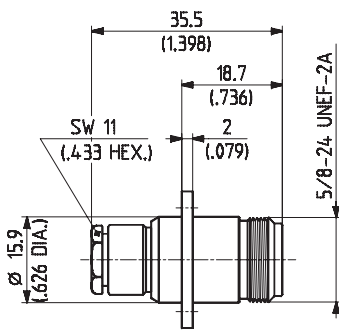
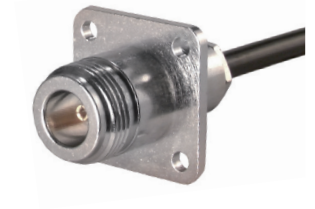


Fig. 2

HUBER+SUHNER type	Item no.	Cable group	Packaging	Assembly instruction	Frequency range (GHz)	Weight	Fig.
25_N-50-2-14/133_NE ¹⁾	22641303	Y3, Y11, Y16 (EZ_86)	single	9073	DC to 12.4	42 g/1.47 oz.	1
25_N-50-3-9/133_NE ¹⁾	22543952	Y5, Y12, Y17 (EZ_141)		9005			2

For flexible cables

- Cable entry clamp
- Centre contact soldered



HUBER+SUHNER type	Item no.	Cable group	Packaging	Assembly instruction	Mounting hole	Weight
25_N-50-2-2/133_NE	22542332	U2 (RG_316_/U, ENVIROFLEX_316)	single	3017	ML 14	45.0 g/1.58 oz.
25_N-50-3-4/133_NE	22542342	U7, U9, U11 (RG_58_C/U, ENVIROFLEX_B58)				44.0 g/1.54 oz.

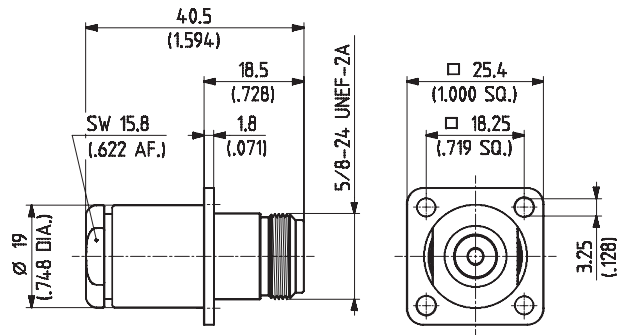
¹⁾ Centre contact NOT captivated

Series N 50 Ω - cable connectors

Straight panel cable jacks (female)

For flexible cables

- Cable entry clamp
- Centre contact soldered



HUBER+SUHNER type	Item no.	Cable group	Packaging	Assembly instruction	Mounting hole	Weight
25_N-50-7-8/133_NE	22542366	U29, U32 (RG_214_/U, ENVIROFLEX_B214)	single	3008	ML 18	55.0 g/1.93 oz.

For flexible cables

- HUBER+SUHNER full crimp
- Taper sleeves see page 554
- Mounting hole ML 14

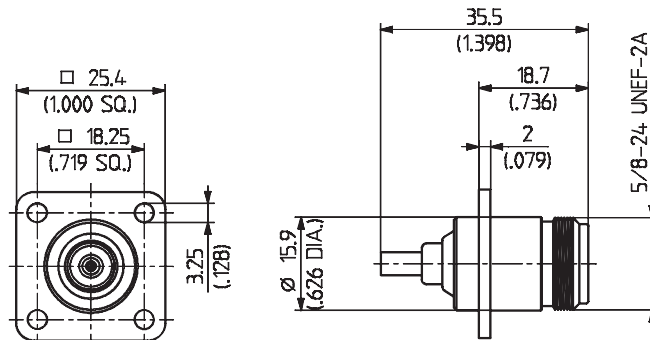
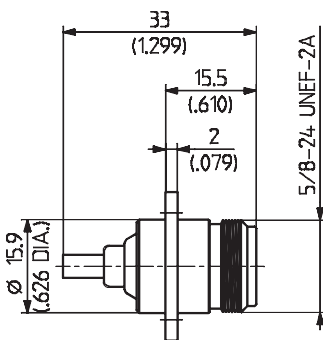


Fig. 1

Fig. 2

HUBER+SUHNER type	Item no.	Cable group	Packaging	Assembly instruction	Crimp insert	Weight	Fig.
25_N-50-2-9/133_NE	22651072	U2 (RG_316_/U, ENVIROFLEX_316)	single	9068	1 A	34.5 g/1.21 oz.	1
25_N-50-2-10/133_NE	22651054	U4 (K_02252_D, ENVIROFLEX_316_D)				38.6 g/1.35 oz.	2

Series N 50 Ω - cable connectors

Straight panel cable jacks (female)

For flexible cables

- HUBER+SUHNER full crimp
- Taper sleeves see page 554
- Mounting hole ML 14

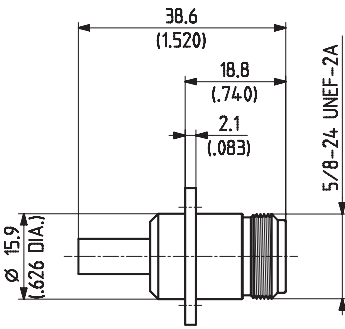
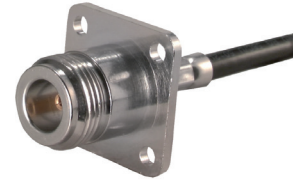


Fig. 1

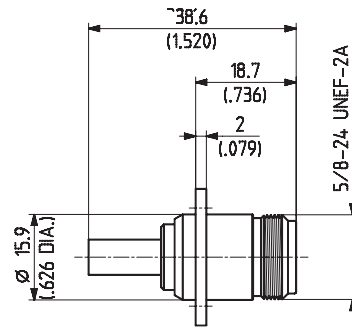
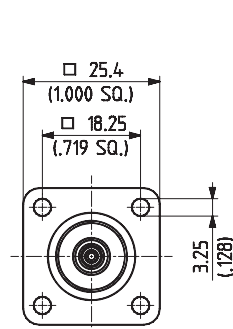
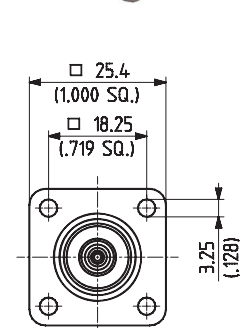


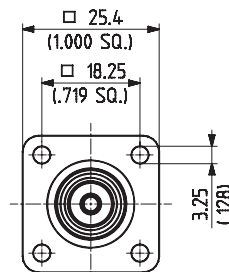
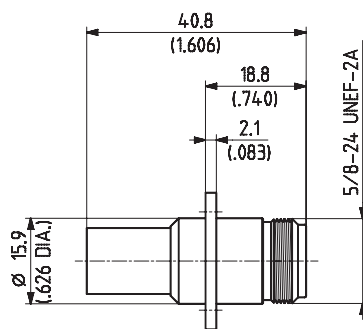
Fig. 2



HUBER+SUHNER type	Item no.	Cable group	Packaging	Assembly instruction	Crimp insert	Weight	Fig.
25_N-50-3-6/133_NE	22542346	U7 (RG_58_C/U, ENVIROFLEX_B58)	single	3063	2 B	39.0 g/1.37 oz.	1
25_N-50-3-7/133_NE	22542348	U9 (RG_223_/U, ENVIROFLEX_B223)				39.0 g/1.37 oz.	1
25_N-50-3-20/133_NE	22649913	U11 (RG_400_/U, ENVIROFLEX_400)				37.0 g/1.30 oz.	2

For flexible cables

- HUBER+SUHNER full crimp
- Taper sleeves see page 554
- Mounting hole ML 14

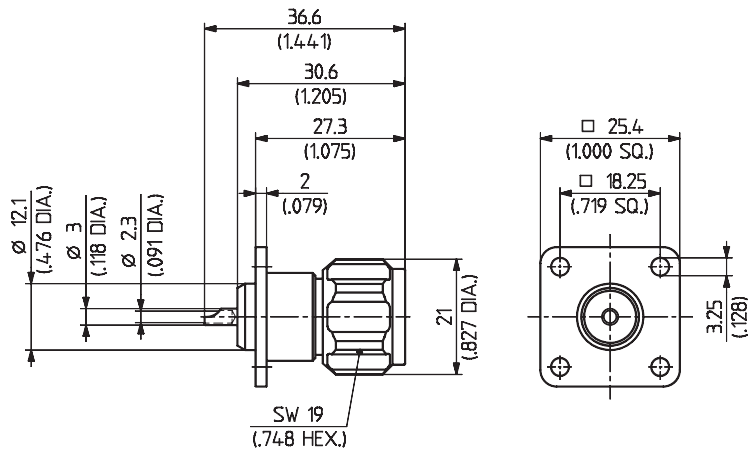


HUBER+SUHNER type	Item no.	Cable group	Packaging	Assembly instruction	Crimp insert	Weight
25_N-50-7-13/133_NE	22542369	U29 (RG_213_/U, RADOX_RF_213)	single	3061	3 D	42.0 g/1.47 oz.
25_N-50-7-14/133_NE	22542370	U32 (RG_214_/U, ENVIROFLEX_B214)				

Series N 50 Ω – receptacles with solder end

Receptacles, plug (male)

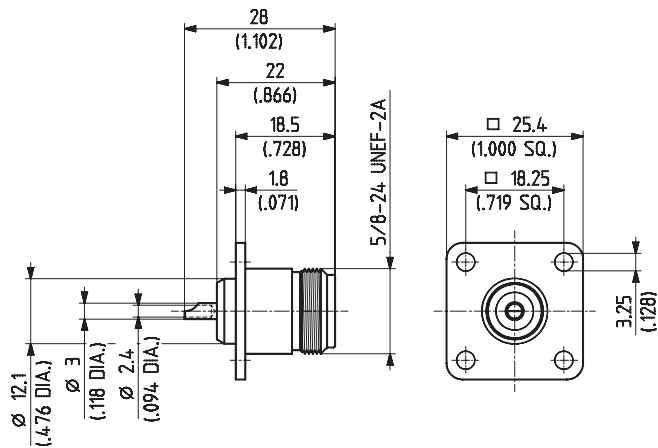
- Panel mounted



HUBER+SUHNER type	Item no.	Packaging	Mounting hole	Weight
13_N-50-0-1/133_NE	22542173	single	ML 16	46.0 g/1.61 oz.

Receptacles, jacks (female)

- Panel mounted



HUBER+SUHNER type	Item no.	Packaging	Mounting hole	Weight
23_N-50-0-1/133_NE	22542272	single	ML 17	31.0 g/1.09 oz.

Series N 50 Ω – receptacles with solder end

Receptacles, jacks (female)

- Bulkhead mounted
- Solder tags see page 557
- With panel seal
- Insulating washers see page 556

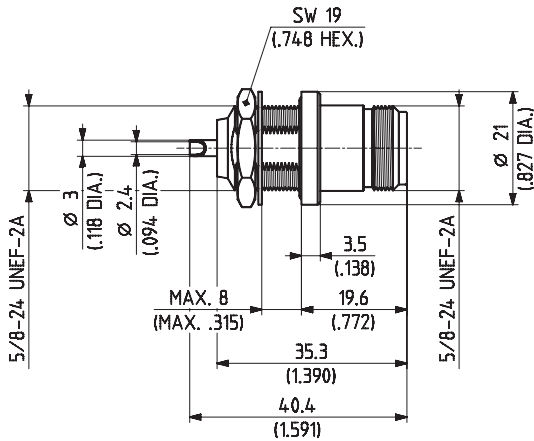


Fig. 1

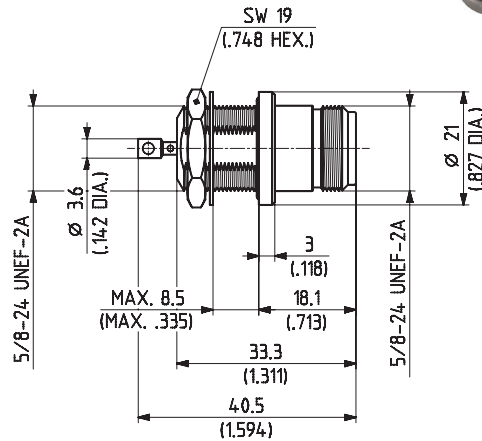
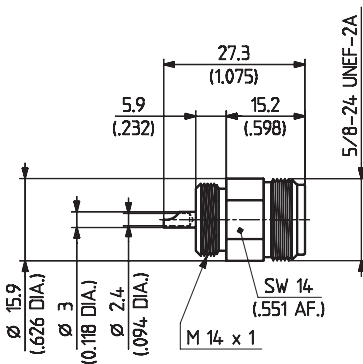


Fig. 2

HUBER+SUHNER type	Item no.	Packaging	Mounting hole	Weight	Notes	Fig.
22_N-50-0-2/133_NE	22542265	single	M12	470 g/1.65 oz.		1
22_N-50-0-3/133_NE	22644425				hermetically sealed leak rate $\leq 10^{-6}$ Torr l/s (atm cc/s) ¹⁾	2

- Bulkhead mounted



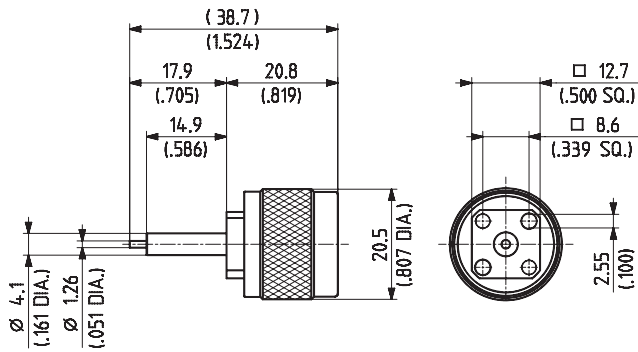
HUBER+SUHNER type	Item no.	Packaging	Weight	Notes
22_N-50-0-23/133_NF	22651448	bulk 50 pcs.	20.8 g/0.73 oz.	without nut and washer (direct screw into panel, thread M 14 × 1)

¹⁾ RoHs compliant – alternative on request

Series N 50 Ω – receptacles with solder end

Receptacles, plugs (male)

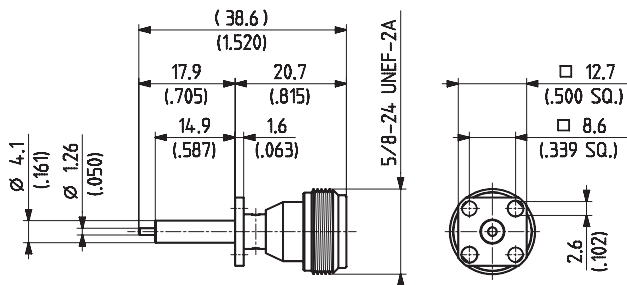
- Panel mounted
- Extended dielectric



HUBER+SUHNER type	Item no.	Packaging	Weight	Notes
13_N-50-0-30/133_NE	22642831	single	30.0 g/1.05 oz.	SMA flange size

Receptacles, jacks (female)

- Panel mounted
- Extended dielectric

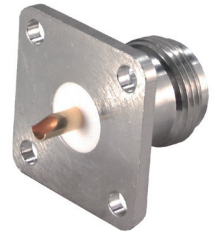
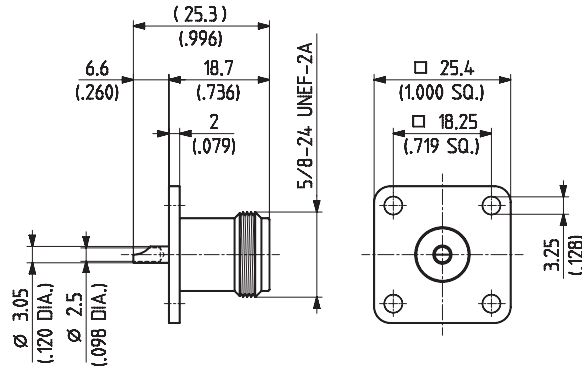


HUBER+SUHNER type	Item no.	Packaging	Weight	Notes
23_N-50-0-30/133_NE	22642835	single	14.0 g/0.49 oz.	SMA flange size

Series N 50 Ω - receptacles with solder end

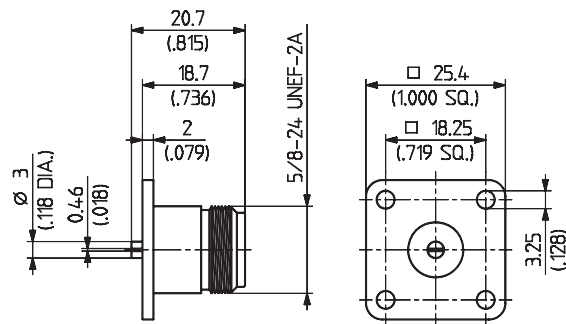
Receptacles, jacks (female)

- Panel mounted
- Solder pot terminal
- Flush dielectric



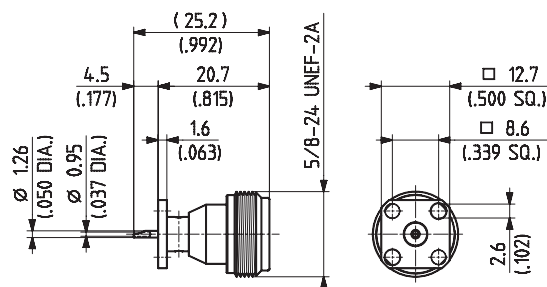
HUBER+SUHNER type	Item no.	Packaging	Weight
23_N-50-0-23/133_NE	22544751	single	24.0 g/0.84 oz.

- End of centre pin slotted
- Panel mounted
- Flush dielectric



HUBER+SUHNER type	Item no.	Packaging	Weight
23_N-50-0-69/133_NX	22648797	bulk 150 pcs.	279 g/0.89 oz.

- Panel mounted
- Solder pot terminal
- Flush dielectric

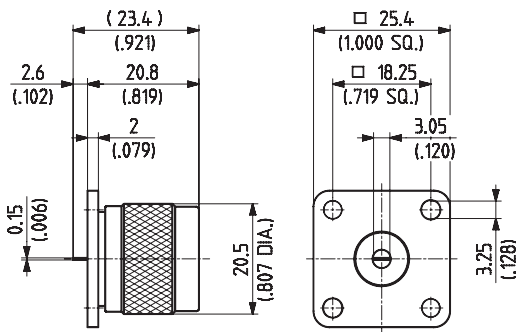


HUBER+SUHNER type	Item no.	Packaging	Weight	Notes
23_N-50-0-31/133_NE	22642836	single	13.6 g/0.48 oz.	SMA flange size

Series N 50 Ω - stripline launchers

Receptacles, plugs (male)

- Panel mounted
- Tab contact
- Flush dielectric



HUBER+SUHNER type	Item no.	Packaging	Weight
13_N-50-0-33/133_NE	22642834	single	36.0 g/1.26 oz.

Receptacles, jacks (female)

- Panel mounted
- Tab contact
- Flush dielectric

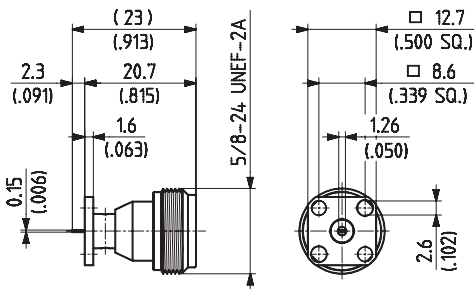


Fig. 1

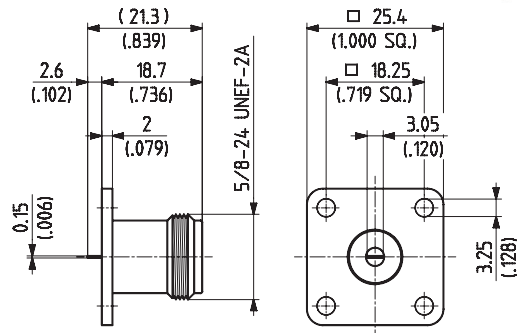


Fig. 2



HUBER+SUHNER type	Item no.	Packaging	Weight	Notes	Fig.
23_N-50-0-16/133_NE	22641166	single	13.5 g/0.47 oz.	SMA flange size	1
23_N-50-0-33/133_NE	22642837		24.5 g/0.86 oz.		2

Series N 75 Ω - cable connectors

Straight cable plugs (male)

For flexible cables

- Cable entry clamp
- Centre contact soldered

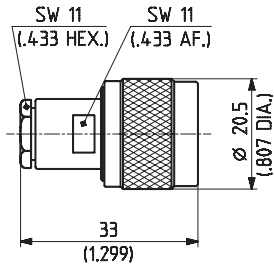


Fig. 1

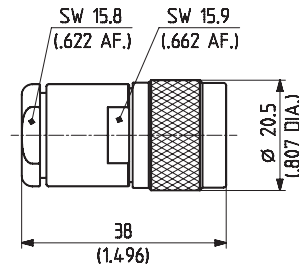


Fig. 2

HUBER+SUHNER type	Item no.	Cable group	Packaging	Assembly instruction	Weight	Fig.
11_N-75-4-3/133_NE	22542467	U16 (RG_59_B/U, RADOX_RF_59)	single	27042	34.0 g/1.19 oz	1
11_N-75-4-6/133_NE	22542475	U18 (G_04133_D)		27042	34.0 g/1.19 oz	1
11_N-75-7-4/133_NE	22542497	U34, U36 (G_07273_D)		3008	48.0 g/1.68 oz.	2

For flexible cables

- HUBER+SUHNER full crimp
- Taper sleeves see page 554

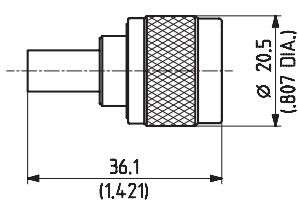


Fig. 1

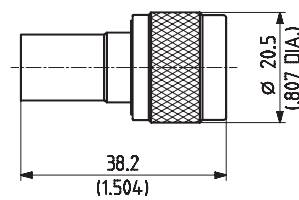


Fig. 2

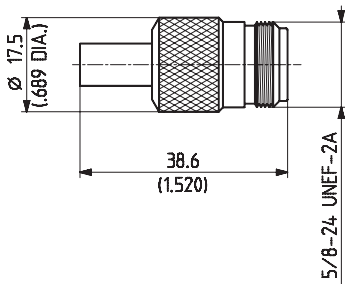
HUBER+SUHNER type	Item no.	Cable group	Packaging	Assembly instruction	Crimp insert	Weight	Fig.
11_N-75-4-8/133_NE	22542477	U16 (RG_59_B/U, RADOX_RF_59)	single	3063	2 C	30.0 g/1.05 oz.	1
11_N-75-4-9/133_NE	22542478	U18 (G_04133_D)		3063	2 C	30.0 g/1.05 oz.	1
11_N-75-7-16/133_NE	22542511	U34 (RG_11_A/U)		3061	2 D	32.0 g/1.12 oz.	2
11_N-75-7-18/133_NE	22542512	U36 (G_07273_D)		3061	2 D	32.0 g/1.12 oz.	2

Series N 75 Ω – cable connectors

Straight cable jacks (female)

For flexible cables

- HUBER+SUHNER full crimp
- Taper sleeves see page 554

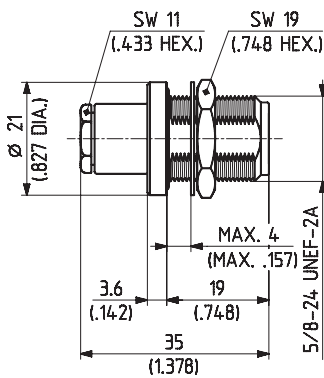


HUBER+SUHNER type	Item no.	Cable group	Packaging	Assembly instruction	Crimp insert	Weight
21_N-75-4-8/133_NE	22640810	U16 (RG_59_B/U, RADOX_RF_59)	single	3063	2 C	34.0 g/1.19 oz.

Straight bulkhead cable jacks (female)

For flexible cables

- Cable entry clamp
- Centre contact soldered
- With panel seal
- Insulating washers see page 556

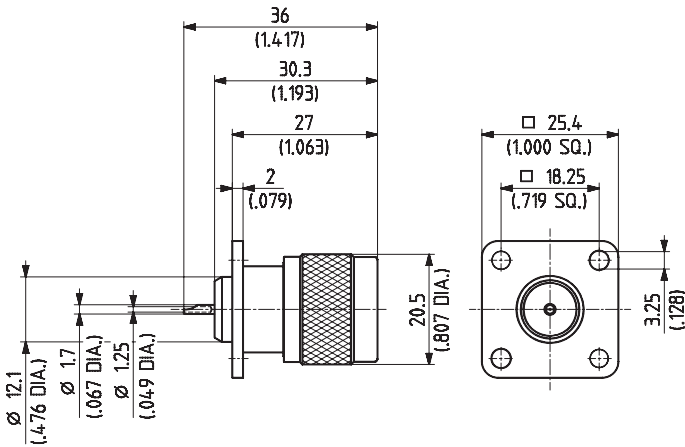


HUBER+SUHNER type	Item no.	Cable group	Packaging	Assembly instruction	Mounting hole	Weight
24_N-75-4-2/133_NE	22543628	U16 (RG_59_B/U, RADOX_RF_59)	single	27042	ML 12	40.0 g/1.40 oz.

Series N 75 Ω - receptacles with solder end

Flange mount, plug (male)

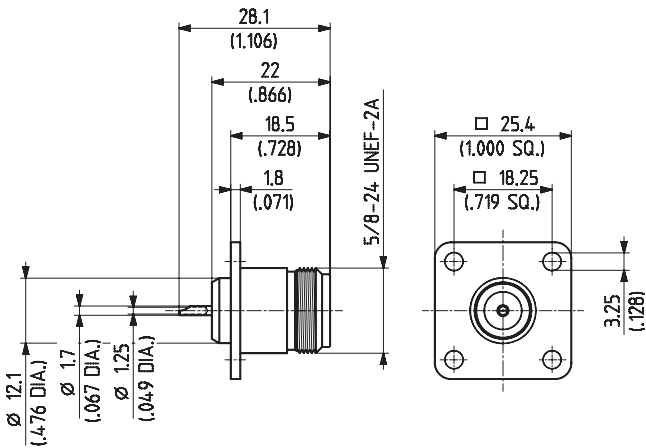
- Panel mounted



HUBER+SUHNER type	Item no.	Packaging	Mounting hole	Weight
13_N-75-0-1/133_NE	22542522	single	ML 16	45.0 g/1.58 oz.

Flange mount, jack (female)

- Panel mounted



HUBER+SUHNER type	Item no.	Packaging	Mounting hole	Weight
23_N-75-0-1/133_NE	22542575	single	ML 17	30.0 g/1.05 oz.

N 75 Ω