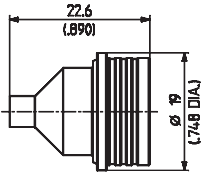


# Series QN – cable connectors

## Straight cable plugs (male)

For semi-rigid, Sucoform and Multiflex cables

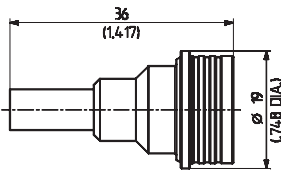
- Cable entry soldered
- Centre contact plugged-in



HUBER+SUHNER type	Item no.	Cable group (example)	Packaging	Assembly instruction
11_QN-50-3-3/113_NE	23033393	Y5, Y12 (SUCOFORM_141)	single	27502

For flexible cables

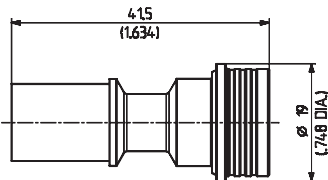
- HUBER+SUHNER full crimp



HUBER+SUHNER type	Item no.	Cable group (example)	Packaging	Assembly instruction	Crimp insert
11_QN-50-3-1/133_NE	23033391	U9 (RG_142_B/U, ENVIROFLEX_142)	single	27500	2 B
11_QN-50-3-2/133_NE	23033392	U7 (RG_58_C/U, ENVIROFLEX_B58)		27501	
11_QN-50-3-4/133_NE	84016563	U11, U41 (RG_400_/U, ENVIROFLEX_400)		230235	

For flexible cables

- HUBER+SUHNER full crimp



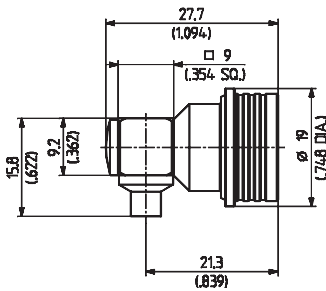
HUBER+SUHNER type	Item no.	Cable group (example)	Packaging	Assembly instruction	Crimp insert
11_QN-50-7-1/133_NE	23033394	U32, U43 (RG_214_/U, ENVIROFLEX_B214)	single	27503	3 D
11_QN-50-7-2/133_NE	23033395	U33 (RG_393_/U, ENVIROFLEX_393)		27504	2.5 D
11_QN-50-7-3/133_NE	23033396	U29, U42 (RG_213_/U, RADOX_RF_213)		27505	3 D

# Series QN - cable connectors

## Right angle cable plugs (male)

For semi-rigid, Sucoform and Multiflex cables

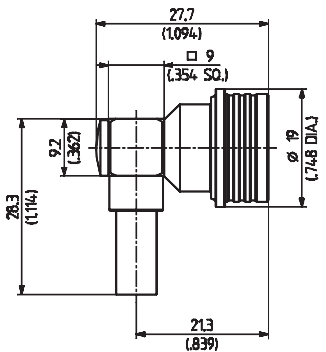
- Cable entry soldered
- Centre contact soldered



HUBER+SUHNER type	Item no.	Cable group (example)	Packaging	Assembly instruction
16_QN-50-3-3/13_NE	23033268	Y5, Y12, Y1 (SUCOFORM_141)	single	27508

For flexible cables

- Cable entry crimp
- Centre contact soldered



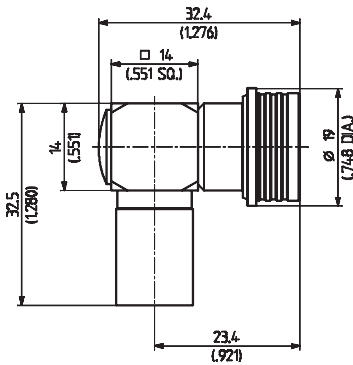
HUBER+SUHNER type	Item no.	Cable group (example)	Packaging	Assembly instruction	Crimp insert
16_QN-50-3-1/133_NE	23033267	U9, U11, U39 (RG_400_/U, ENVIROFLEX_400)	single	27506	B
16_QN-50-3-2/133_NE	23033398	U7 (RG_58_C/U, ENVIROFLEX_B58)		27507	B
16_QN-50-4-1/133_NE	23033078	S16 (SX_04172_B-60)		27509	C

# Series QN - cable connectors

## Right angle cable plugs (male)

### For flexible cables

- Cable entry crimp
- Centre contact soldered

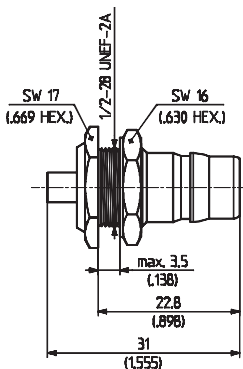


HUBER+SUHNER type	Item no.	Cable group (example)	Packaging	Assembly instruction	Crimp insert
16_QN-50-7-1/133_NE	23032410	U32, U33 (RG_393_/U, ENVIROFLEX_393)	single	27510	D
16_QN-50-7-2/133_NE	23033399	U29 (RG_213_/U, RADOX_RF_213)		27511	
16_QN-50-7-5/133_NE	84078879	U30, X32 (SPUMA_400, SPUMA_400-FR-01, SPUMA_400-RS-FR)		27511	

## Straight bulkhead cable jacks (female)

### For semi-rigid, Sucoform and Multiflex cables

- Cable entry soldered
- Centre contact plugged-in



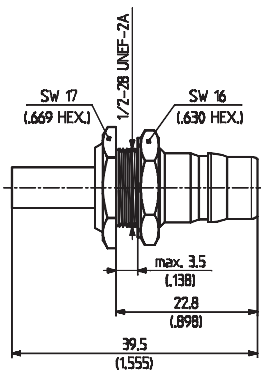
HUBER+SUHNER type	Item no.	Cable group (example)	Packaging	Assembly instruction	Mounting hole
24_QN-50-3-3/13_NE	23033423	Y5, Y12, Y17 (SUCOFORM_141)	single	27514	ML 112

# Series QN – cable connectors

## Straight bulkhead cable jacks (female)

For flexible cables

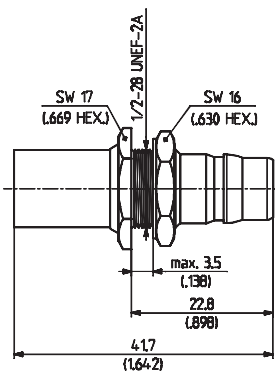
- HUBER+SUHNER full crimp



HUBER+SUHNER type	Item no.	Cable group (example)	Packaging	Assembly instruction	Mounting hole	Crimp insert
24_QN-50-3-1/133_NE	23033400	U9 (RG_142_B/U, ENVIROFLEX_142)	single	27512	ML 112	2 B
24_QN-50-3-2/133_NE	23033402	U7 (RG_58_C/U, ENVIROFLEX_B58)		27513		

For flexible cables

- HUBER+SUHNER full crimp



HUBER+SUHNER type	Item no.	Cable group (example)	Packaging	Assembly instruction	Mounting hole	Crimp insert
24_QN-50-7-1/133_NE	23033403	U33 (RG_393_/U, ENVIROFLEX_393)	single	27515	ML 112	2.5 D
24_QN-50-7-2/133_NE	23033404	U32, U43 (RG_214_/U, ENVIROFLEX_B214)		27516		3 D
24_QN-50-7-3/133_NE	23033405	U29, U42 (RG_213_/U), RADOX_RF_213		27517		3 D
24_QN-50-7-5/133_NE	84039869	U30, X32 (SPUMA_400, SPUMA_400-FR-01, SPUMA_400-RS-FR)		253545		4 D

Cable groups see page 32

Assembly tools see page 531

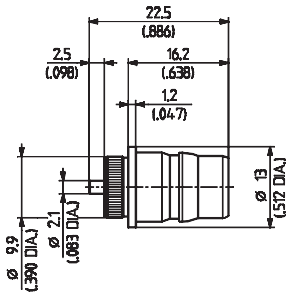
Mounting holes/PCB layouts see page 561

# Series QN – receptacles with solder end

## Receptacles, jacks (female)

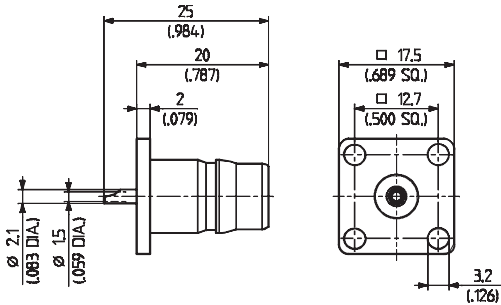
### For flexible cables

- Bulkhead mounted
- Press-in chassis mount



HUBER+SUHNER type	Item no.	Packaging	Notes
22_QN-50-0-1/133_NE	23033237	single	press-in
22_QN-50-0-1/133_NY	23033904	bulk 100 pcs.	

- Panel mounted



HUBER+SUHNER type	Item no.	Packaging	Notes
23_QN-50-0-1/133_NE	23033251	single	flange with same dimensions as TNC
23_QN-50-0-1/133_NY	23033252	bulk 150 pcs.	