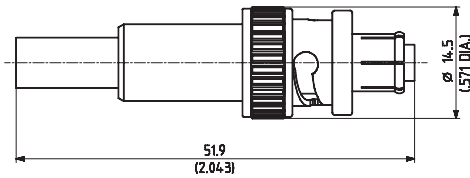


Series SHV - cable connectors

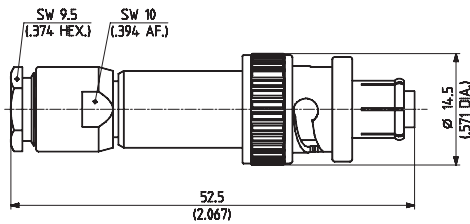
Straight cable plugs (male)

- HUBER+SUHNER full crimp
- Taper sleeves see page 554



HUBER+SUHNER type	Item no.	Cable group (example)	Packaging	Assembly instruction	Crimp insert
11_SHV-50-3-1/133_NE	22541987	U7 (RG_58_C/U, ENVIROFLEX_B58)	single	3092	2 B
11_SHV-50-4-1/133_NE	22541992	U16 (RG_59_B/U, RADOX_RF_59)			2 C

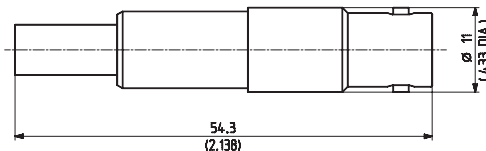
- Cable entry clamp
- Centre contact soldered



HUBER+SUHNER type	Item no.	Cable group (example)	Packaging	Assembly instruction
11_SHV-50-3-10/133_NE	22541990	U7 (RG_58_C/U, ENVIROFLEX_B58)	single	3094
11_SHV-50-4-10/133_NE	22541996	U16 (RG_59_B/U, RADOX_RF_59)		

Straight cable jacks (female)

- HUBER+SUHNER full crimp
- Taper sleeves see page 554

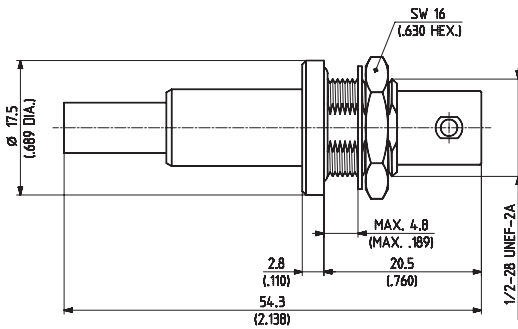


HUBER+SUHNER type	Item no.	Cable group (example)	Packaging	Assembly instruction	Crimp insert
21_SHV-50-3-1/133_NE	22541998	U7 (RG_58_C/U, ENVIROFLEX_B58)	single	3092	2 B
21_SHV-50-4-1/133_NE	22542001	U16 (RG_59_B/U, RADOX_RF_59)			2 C

Series SHV – cable connectors

Straight bulkhead cable jacks (female)

- HUBER+SUHNER full crimp
- With panel seal
- Taper sleeves see page 554

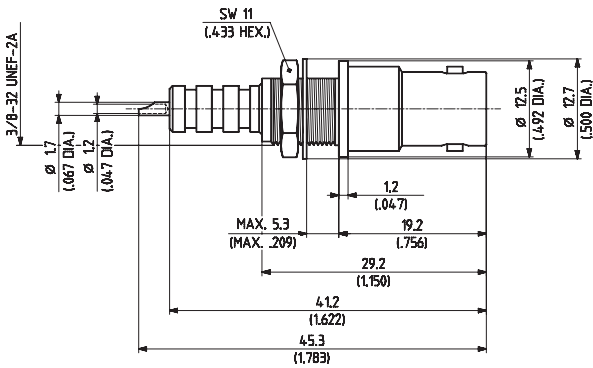


HUBER+SUHNER type	Item no.	Cable group (example)	Packaging	Assembly instruction	Mounting hole	Crimp insert
24_SHV-50-3-1/133_NE	22641281	U7 (RG_58_C/U, ENVIROFLEX_B58)	single	3092	ML4	2 B
24_SHV-50-4-1/133_NE	22544592	U16 (RG_59_B/U, RADOX_RF_59)				2 C

Series SHV – receptacles with solder end

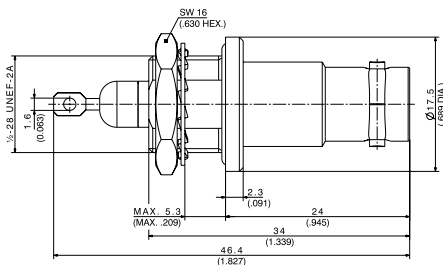
Receptacles, jacks (female)

- Bulkhead mounted
- Without panel seal



HUBER+SUHNER type	Item no.	Packaging	Mounting hole	Insulator	Notes
22_SHV-50-0-2/133_NE	22544054	single	ML 2	PTFE	
22_SHV-50-0-6/133_NE	22542007			polystyrol	radiation resistant

- Bulkhead mounted
- Hermetically sealed



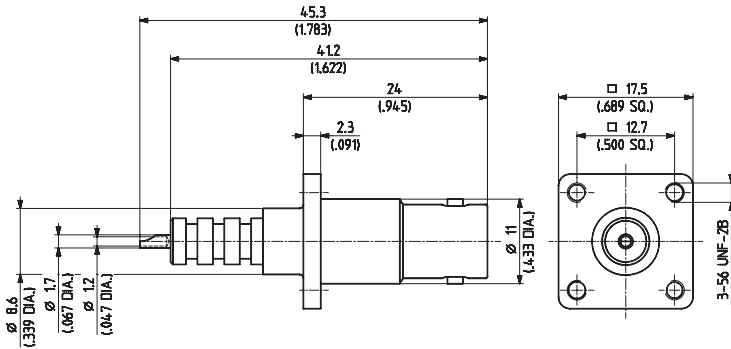
HUBER+SUHNER type	Item no.	Packaging	Mounting hole	Plating body	Notes
22_SHV-50-0-3/100_NE ¹⁾	22543968	single	ML 4	silver	leak rate 10 ⁻⁶ Torr l/s (atm cc/s)

¹⁾ RoHS compliant alternative on request

Series SHV – receptacles with solder end

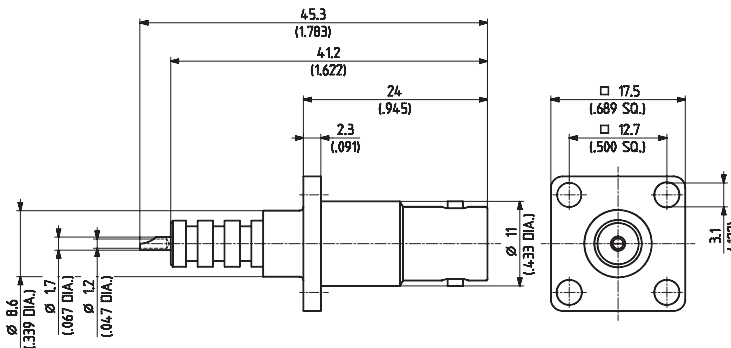
Receptacles, jacks (female)

- Panel mounted



HUBER+SUHNER type	Item no.	Packaging	Mounting hole	Notes
23_SHV-50-0-1/133_NE	22542008	single	ML 106	mounting also possible with screws ISO M 2.5

- Panel mounted



HUBER+SUHNER type	Item no.	Packaging	Mounting hole	Notes
23_SHV-50-0-2/133_NE	22542010	single	ML 106	