

Series SK (2.92 mm standard) – cable connectors

Straight cable plugs (male)

For semi-rigid cables

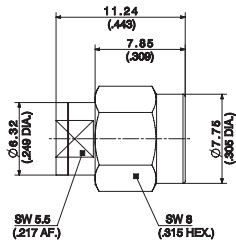


Fig. 1

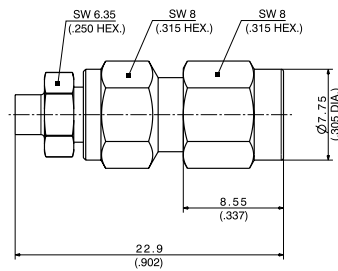


Fig. 2



SK (2.92 mm)

HUBER+SUHNER type	Item no.	Cable group (example)	Packaging	Assembly instruction	Fig.	Notes
11_SK-50-2-56/119_NE	84013230	Y16 (EZ_86)	single	27445	1	plug
11_SK-50-2-60/199_NE	84098644	Y11 (MULTIFLEX_86)		0000331903	2	plug

Straight cable jacks (female)

For semi-rigid cables

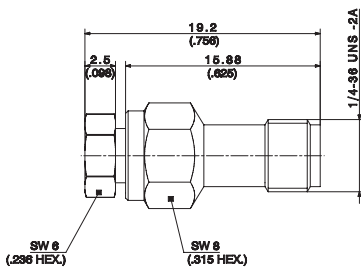


Fig. 1

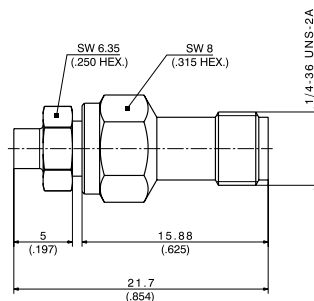


Fig. 2



HUBER+SUHNER type	Item no.	Cable group (example)	Packaging	Assembly instruction	Fig.	Notes
21_SK-50-2-58/199_NE	84019664	Y16 (EZ_86)	single	0000234990	1	jack
21_SK-50-2-61/199_NE	84094378	Y11 (MULTIFLEX_86)		0000326138	2	jack

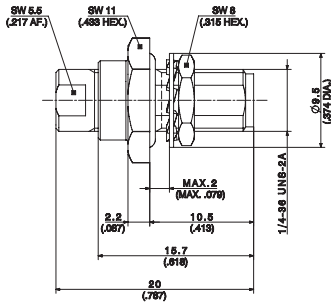
Series SK (2.92 mm standard) – cable connectors

Straight bulkhead cable jacks (female)

For semi-rigid cables

- with panel seal

SK (2.92 mm)



HUBER+SUHNER type	Item no.	Cable group (example)	Packaging	Assembly instruction	Mounting hole	Fig.
24_SK-50-2-55/1--_NE	84016419	Y10 (EZ_118-TP)	single	0000229976	ML 35	1

Series SK (2.92 mm standard) – launchers

"Spark plug" launchers

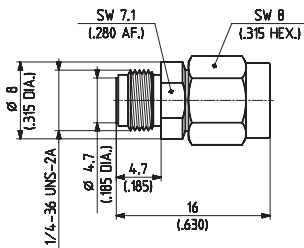


Fig. 1

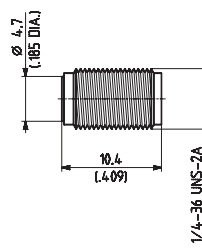


Fig. 2



HUBER+SUHNER type	Item no.	Packaging	Mounting hole	Suitable glass-bead	Fig.
12_SK-50-0-51/199_NE	22645974	single	ML 75	73_Z-0-0-203 ¹⁾	1
22_SK-50-0-51/199_NE	22645975	single	ML 75	73_Z-0-0-203 ¹⁾	2

¹⁾ For fixing hermetic seal while soldering, fixture 74_Z-0-0-226 is recommended, see page 545.

Series SK (2.92 mm standard) – launchers

Panel launchers (male)

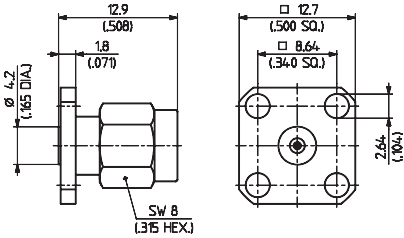


Fig. 1

HUBER+SUHNER type	Item no.	Packaging	Mounting hole	Suitable glass-bead	Fig.
13_SK-50-0-51/199_NE	22645978	single	ML77	73_Z-0-0-203 1)	1

¹⁾ For fixing hermetic seal while soldering, fixture 74_Z-0-0-227 is recommended, see page 545.

Panel launchers (male)

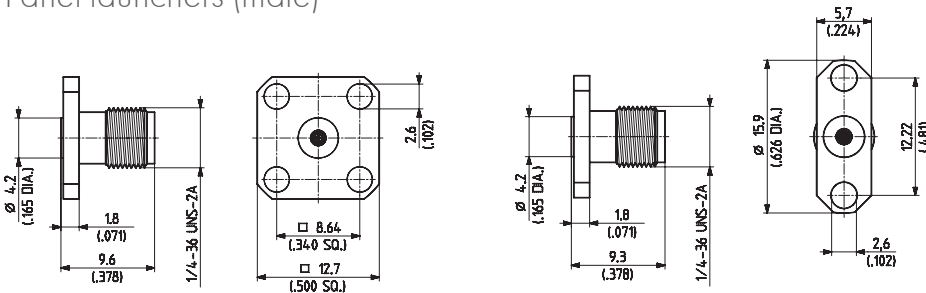


Fig. 1

Fig. 2

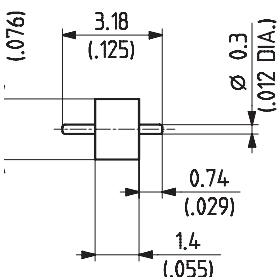
HUBER+SUHNER type	Item no.	Packaging	Mounting hole	Suitable glass-bead	Fig.
23_SK-50-0-51/199_NE	22645979	single	ML77	73_Z-0-0-203 1)	1
23_SK-50-0-52/199_NE	22645977	single	ML78	73_Z-0-0-203 1)	2

¹⁾ For fixing hermetic seal while soldering, fixture 74_Z-0-0-227 is recommended, see page 545.

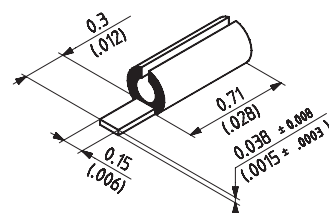
Series SK (2.92 mm) – accessories

Glass bead for 12 SK, 13 SK, 22 SK, 23 SK launchers
(package with 1 piece)

Microstrip stress relief contacts
(package with 100 pieces)



HUBER+SUHNER type
73_Z-0-0-203/11_E
Item no. 22645983



HUBER+SUHNER type
73_Z-0-0-204/1--_NH
Item no. 22645980