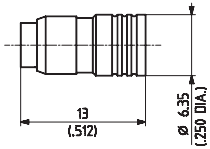


Series SMB – cable connectors

Straight cable plugs (male)

For semi-rigid cables

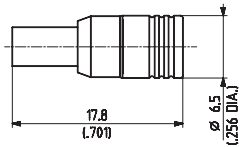
- Open entry
- Cable entry soldered
- Centre contact crimp or soldered



HUBER+SUHNER type	Item no.	Cable group (example)	Packaging	Assembly instruction	Crimp insert
11_SMB-50-2-13/111_NE 11_SMB-50-2-13/111_NH	22543362 22658765	Y3, Y11, (EZ_86)	single bulk 100 pcs.	9002	1

For flexible cables

- Closed entry
- HUBER+SUHNER full crimp
- Taper sleeves see page 554



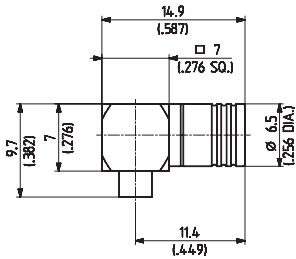
HUBER+SUHNER type	Item no.	Cable group (example)	Packaging	Assembly instruction	Crimp insert	Notes
11_SMB-50-1-40/111_NE 11_SMB-50-1-40/111_NH	22648050 22650186	U1 (RG_178_B/U, ENVIROFLEX_178)	single bulk 100 pcs.	3077	1 A	low retention
11_SMB-50-2-40/111_NE 11_SMB-50-2-40/111_NH	22648051 23014146	U2 (RG_316/U, ENVIROFLEX_316)	single bulk 100 pcs.			
11_SMB-50-2-40/133_NE 11_SMB-50-2-40/133_NH	22648498 22650179		single bulk 100 pcs.			
11_SMB-50-2-41/111_NE 11_SMB-50-2-41/111_NH	22648052 22650536	U4 (K_02252_D, ENVIROFLEX_316_D)	single bulk 100 pcs.			

Series SMB – cable connectors

Right angle cable plugs (male)

For semi-rigid cables

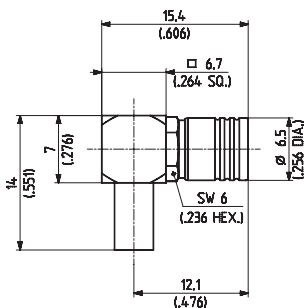
- Closed entry
- Cable entry soldered
- Centre contact soldered



HUBER+SUHNER type	Item no.	Cable group (example)	Packaging	Assembly instruction
16_SMB-50-2-23/111_NE	22644079	Y3, Y11 (EZ_86)	single	9160

For flexible cables

- Closed entry
- HUBER+SUHNER full crimp
- Taper sleeves see page 554



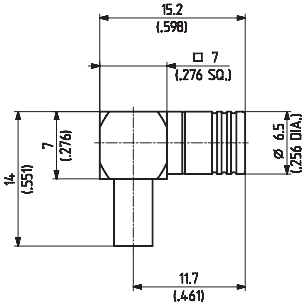
HUBER+SUHNER type	Item no.	Cable group (example)	Packaging	Assembly instruction	Crimp insert	Notes
16_SMB-50-2-110/111_NE	22659113	U2 (RG_316_/U, ENVIROFLEX_316)	single	3096	1 A	high retention, open entry
16_SMB-50-2-110/133_NH	22659116	U2 (RG_316_/U, ENVIROFLEX_316)	bulk 100 pcs.			
16_SMB-50-2-111/111_NH 16_SMB-50-2-111/111_NH-1	22659120 23015343	U4 (K_02252_D, ENVIROFLEX_316_D)	bulk 100 pcs. bulk 100 pcs.			high retention, open entry
16_SMB-50-1-40/111_NE	22648053	U1 (RG_178_B/U, ENVIROFLEX_178)	single			
16_SMB-50-2-40/111_NE 16_SMB-50-2-40/111_NH	22648054 22650695	U2 (RG_316_/U, ENVIROFLEX_316)	single bulk 100 pcs.			
16_SMB-50-2-41/111_NH	22660335	U4 (K_02252_D, ENVIROFLEX_316_D)	bulk 100 pcs.			

Series SMB – cable connectors

Right angle cable plugs (male)

For flexible cables

- Closed entry
- Cable entry crimp
- Centre contact soldered
- Taper sleeves see page 554

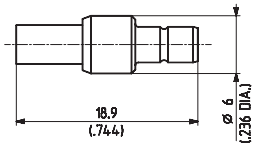


HUBER+SUHNER type	Item no.	Cable group (example)	Packaging	Assembly instruction	Crimp insert	Plating body
16_SMB-50-2-50/111_NE 16_SMB-50-2-50/111_NH	22648057 23011371	U2(RG_316_/U, ENVIROFLEX_316)	single bulk 100 pcs.	9157	A	
16_SMB-50-2-50/133_NH ¹⁾	22650181	U2 (RG_316_/U, ENVIROFLEX_316)	bulk 100 pcs.			SUCOPLATE®
16_SMB-50-2-51/111_NE 16_SMB-50-2-51/111_NH	22648058 22658985	U 4 (K_02252_D, ENVIROFLEX_316_D)	single bulk 100 pcs.			
16_SMB-50-2-51/133_NE ¹⁾ 16_SMB-50-2-51/133_NH ¹⁾	23029417 22650182	U 4 (K_02252_D, ENVIROFLEX_316_D)	single bulk 100 pcs.			SUCOPLATE®

Straight cable jacks (female)

For flexible cables

- HUBER+SUHNER full crimp
- Taper sleeves see page 554



HUBER+SUHNER type	Item no.	Cable group (example)	Packaging	Assembly instruction	Crimp insert
21_SMB-50-1-10/111_NE ²⁾	22543424	U1 (RG_178_B/U, ENVIROFLEX_178)	single	3077	1 A
21_SMB-50-2-10/111_NE 21_SMB-50-2-10/111_NH	22640205 22651810	U2 (RG_316_/U, ENVIROFLEX_316)	single bulk 100 pcs.		
21_SMB-50-2-11/111_NE	22642407	U4, (K_02252_D, ENVIROFLEX_316_D)	single		

¹⁾ Cost effective

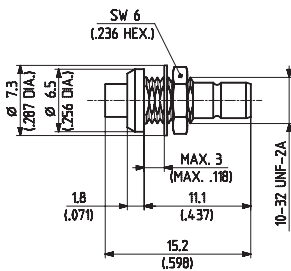
²⁾ Centre contact not captivated

Series SMB - cable connectors

Straight bulkhead cable jacks (female)

For semi-rigid cables

- Cable entry soldered
- Centre contact crimp or soldered



HUBER+SUHNER type	Item no.	Cable group (example)	Packaging	Assembly instruction	Mounting hole	Crimp insert
24_SMB-50-2-13/111_NE ¹⁾	22640822	Y3, Y11, Y16 (EZ_86)	single	9002	ML 11	1
24_SMB-50-2-13/111_NH ¹⁾	84047710		bulk 100 pcs.			

For flexible cables

- HUBER+SUHNER full crimp
- Rear mounting
- Mounting hole ML 11
- Taper sleeves see page 554

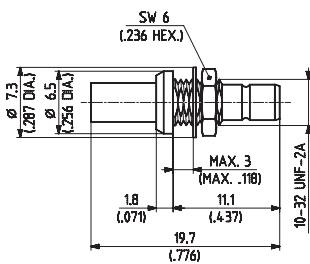


Fig. 1

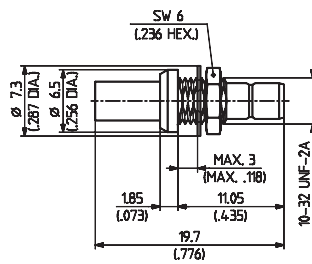


Fig. 2



HUBER+SUHNER type	Item no.	Cable group (example)	Packaging	Assembly instruction	Crimp insert	Plating body	Fig.
24_SMB-50-1-10/111_NE ¹⁾	22543631	U1 (RG_178_B/U,	single	3077	1 A		1
24_SMB-50-1-10/111_NH	22645690	ENVIROFLEX_178)	bulk 100 pcs.				
24_SMB-50-2-110/111_NE	22658161	U2 (RG_316_/U,	single				2
24_SMB-50-2-110/111_NH	22659126	ENVIROFLEX_316)	bulk 100 pcs.				
24_SMB-50-2-110/133_NH ²⁾	22659128	U2 (RG_316_/U,	bulk 100 pcs.			SUCOPLATE®	
24_SMB-50-2-111/111_NH	22659130	U2 (RG_316_/U,	bulk 100 pcs.				
24_SMB-50-2-111/133_NH ²⁾	23005564	U4 (K_02252_D,	bulk 100 pcs.			SUCOPLATE®	
		ENVIROFLEX_316_D)					

¹⁾ Cost effective

²⁾ Centre contact not captivated

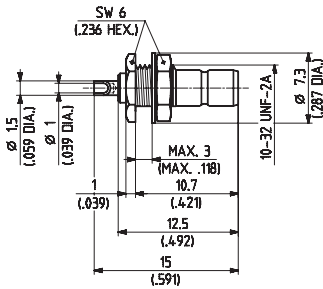
Series SMB – receptacles with solder end

Receptacle jack (female)

- Bulkhead mounted
- Rear mounting
- Insulating washers see page 556

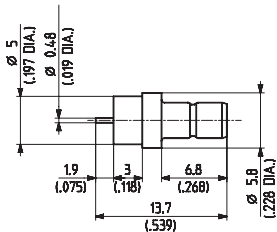


SMB



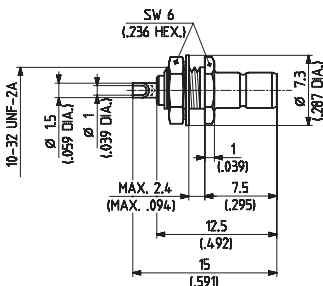
HUBER+SUHNER type	Item no.	Packaging	Mounting hole
22_SMB-50-0-3/111_NE	22640207	single	ML 11

- Bulkhead mounted
- Hermetically sealed
- RoHS compliant alternative on request



HUBER+SUHNER type	Item no.	Packaging	Mounting hole	Notes
22_SMB-50-0-5/111_NE	22640209	single	ML 90	panel sealing: laser beam welding leak rate $\leq 10^{-8}$ Torr l/s (atm cc/s)

- Bulkhead mounted
- Front mounting
- Insulating washers see page 556

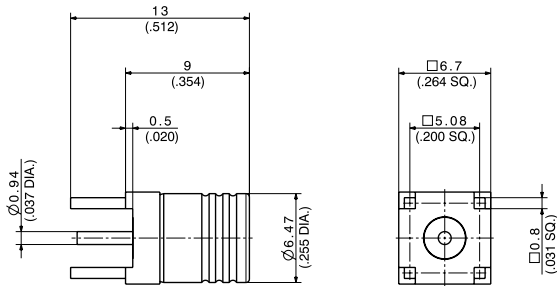


HUBER+SUHNER type	Item no.	Packaging	Mounting hole	Plating body
22_SMB-50-0-2/133_NH	22651503	bulk 100 pcs.	ML 11	SUCOPLATE®

Series SMB – PCB connectors

Straight PCB plug (male)

- 2.54 mm/0.100 in. grid
- Open entry



HUBER+SUHNER type	Item no.	Mounting hole	Plating body	Notes
81_SMB-50-0-41/111_NE	22648059	ML 15	gold	with stand-off

Straight PCB jacks (female)

- 2.54 mm/0.100 in. grid

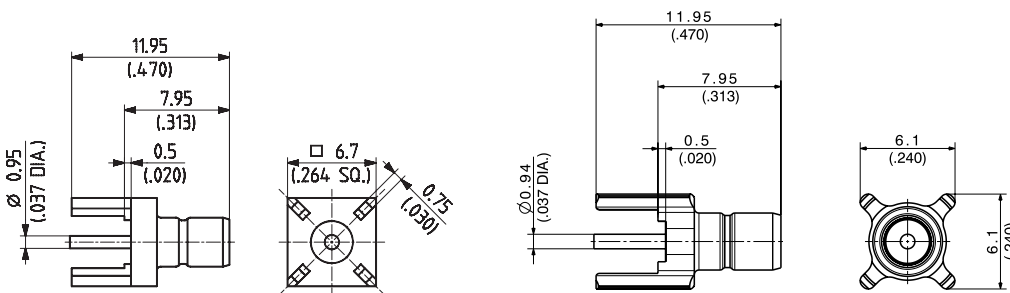


Fig. 1

Fig. 2

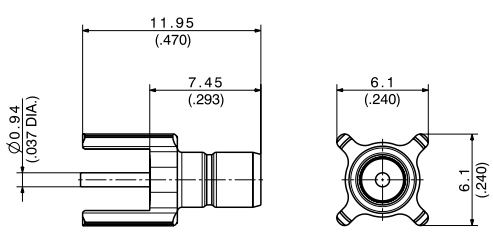


Fig. 3

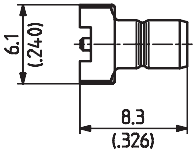
HUBER+SUHNER type	Item no.	Packaging	Mounting hole	Plating body	Fig.	Notes
82_SMB-50-0-1/133_NE	22641492	single	ML 15	SUCOPLATE®	1	with stand-off
82_SMB-50-0-1/111_NH-1	23017254	bulk 100 pcs.		SUCOPRO® plating	1	with stand-off
82_SMB-50-0-17/111_NH	23010991	bulk 100 pcs.	ML 15	SUCOPRO® gold plating	2	with stand-off
82_SMB-50-0-19/111_NH	23011018	bulk 100 pcs.		SUCOPRO® gold plating	3	without stand-off

Cable groups see page 32 Assembly tools see page 531 Mounting holes/PCB layouts see page 561

Series SMB – PCB connectors

Straight PCB jacks (female)

- Surface mount type SMT



SMB

HUBER+SUHNER type	Item no.	Packaging	Mounting hole	Plating body
82_SMB-S50-0-18/111_NH	23010995	bulk 100 pcs.	ML 122	SUCOPRO® gold plating

Right angle PCB jacks (female)

- 2.54 mm/0.100 in. grid
- With stand-off

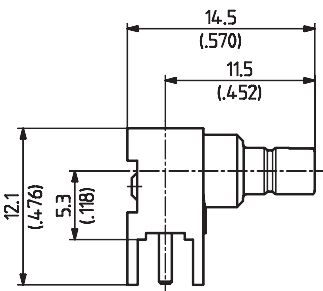


Fig. 1

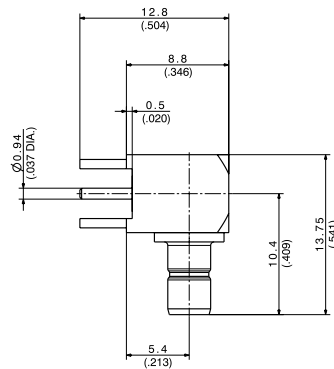


Fig. 2



HUBER+SUHNER type	Item no.	Packaging	Mounting hole	Plating body	Fig.
85_SMB-Z50-0-19/111_NE	84041359	single	ML 15	SUCOPRO® gold plating	1
85_SMB-Z50-0-19/111_NH	23010999	bulk 100 pcs.		gold	2
85_SMB-50-0-1/111_NE	22640235	single		SUCOPLATE®	
85_SMB-50-0-1/111_NH	22645989	bulk 100 pcs.			
85_SMB-50-0-1/133_NE ¹⁾	22641270	single			
85_SMB-50-0-1/133_NH ¹⁾	22644524	bulk 100 pcs.			

¹⁾ Cost effective