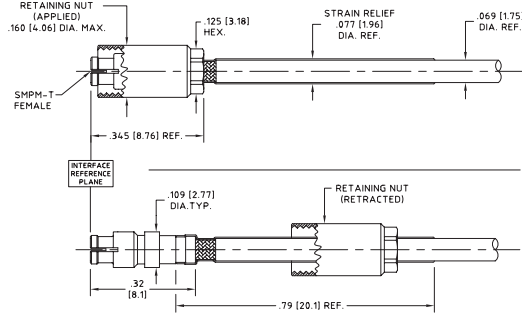


SMPM-T - cable connectors

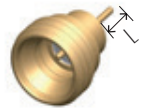
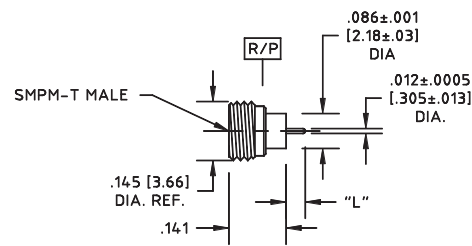
Straight cable jacks (female)



HUBER+SUHNER type	Item no.	Cable group (example)	Packaging	Cable dia. mm/in
29971T-MF53	80376818	Y3, Y16, Y11 (2.18 mm/0.086 in)	single	1.96/0.077

SMPM-T - hermetic shrouds

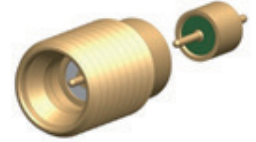
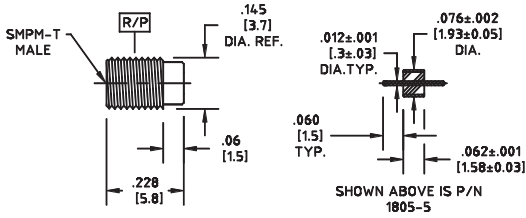
Hermetically sealed, plugs (male)



HUBER+SUHNER type	Item no.	Contact length "L" mm/in	Detent	End option
29976H1-2-060S	80362701	1.52/0.06	full	square
29976H1-2-090S	80362703	2.28/0.09	full	square
29976H1-4-060S	80362705	1.52/0.06	smooth bore	square
29976H1-4-090S	80362707	2.28/0.09	smooth bore	square

SMPM-T – panel mount connectors

Straight bulkhead receptacles, plug (male)

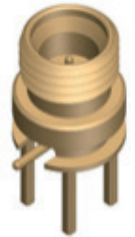
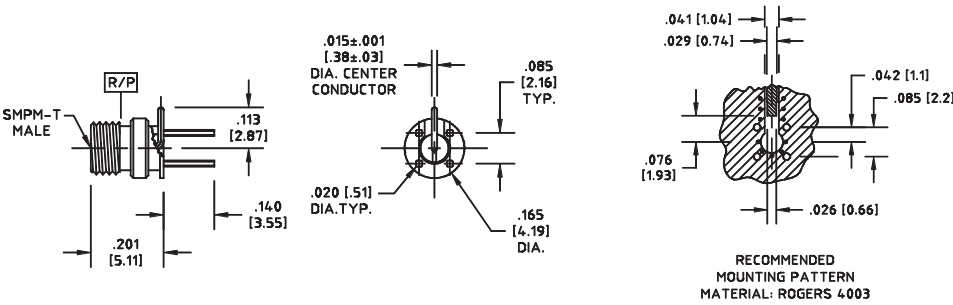


Bead as shown on picture sold separately.

HUBER+SUHNER type	Item no.	Detent
29976TSP-2-005	80370422	full
29976TSP-4-005	80374421	smooth bore

SMPM-T – PCB mount connectors

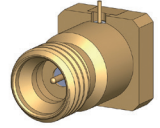
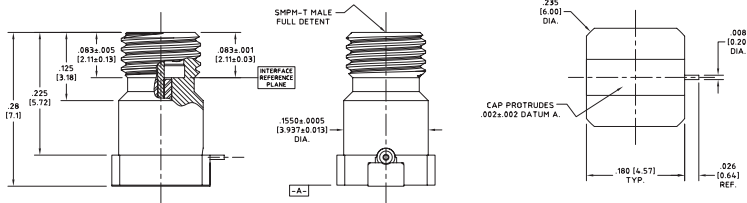
Straight PCB plugs (male)



HUBER+SUHNER type	Item no.	Detent
29976S1-2-140	80362694	full
29976S1-4-140	80362695	smooth bore

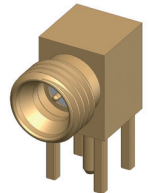
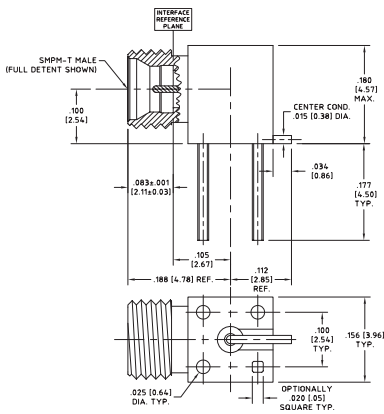
SMPM-T – PCB mount connectors

Straight PCB plugs (male)/reverse mount



HUBER+SUHNER type	Item no.	Detent
29976TRM-2-001	80374144	full
29976TRM-4-001	80395475	smooth bore

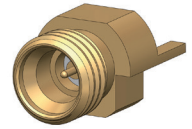
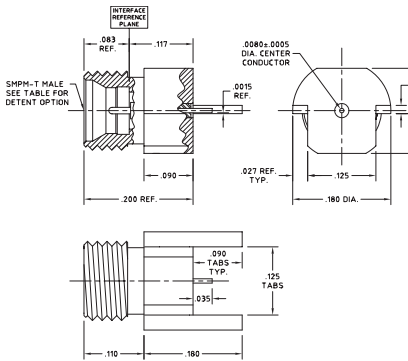
Right angle PCB plugs (male)



HUBER+SUHNER type	Item no.	Detent
29976RA-2-003	80376679	full
29976RA-4-003	80376680	smooth bore

SMPM-T - edge mount connectors

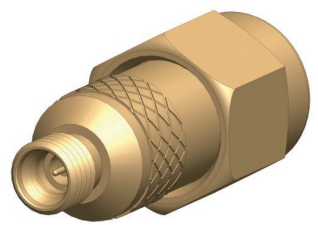
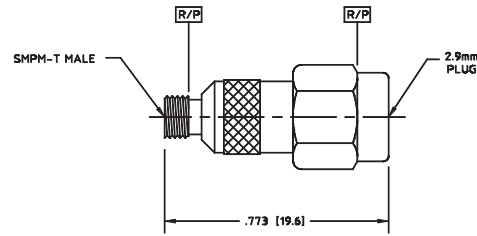
Edge mount PCB plugs (male)



HUBER+SUHNER type	Item no.	Detent
29976BM-2-006	80367075	full
29976BM-4-006	80367222	smooth bore

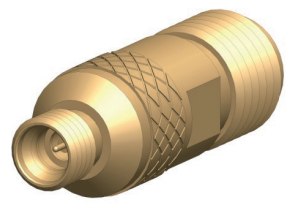
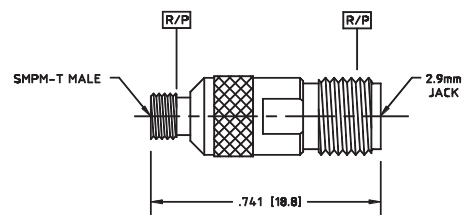
SMPM-T - adaptors

Adaptor SMPM-T plug - SK (2.92 mm standard) plug (male/male)



HUBER+SUHNER type	Item no.	Packaging	Detent
29429-1T2	80317870	single	full

Adaptor SMPM-T plug - SK (2.92 mm standard) jack (male/female)



HUBER+SUHNER type	Item no.	Packaging	Detent
29429-4T2	80362561	single	full