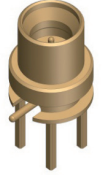
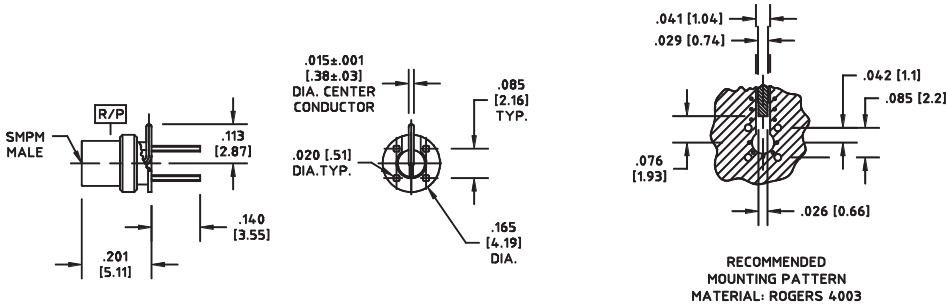


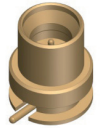
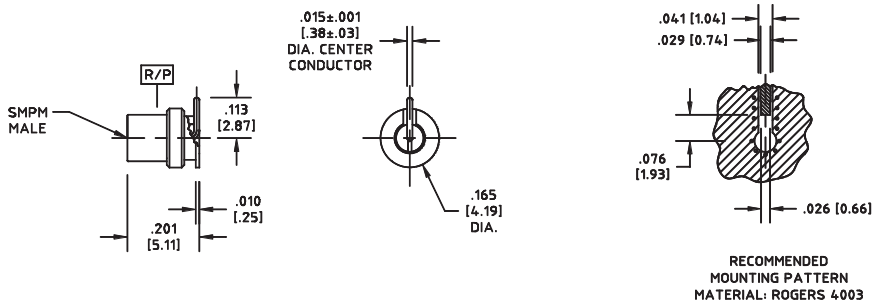
# SMPM - PCB mount connectors

## Straight PCB plugs (male)



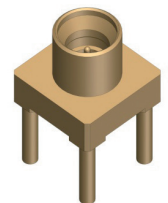
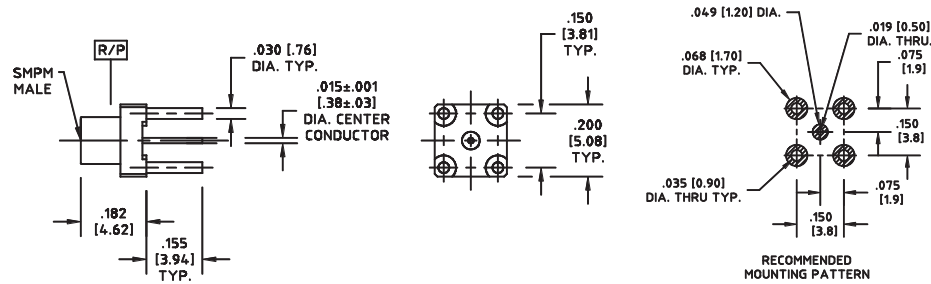
| HUBER+SUHNER type | Item no. | Detent      |
|-------------------|----------|-------------|
| 29972S1-2-001     | 80367473 | full        |
| 29972S1-4-001     | 80367474 | smooth bore |

## Straight PCB plugs (male)



| HUBER+SUHNER type | Item no. | Detent      |
|-------------------|----------|-------------|
| 29972SM-2-001     | 80367475 | full        |
| 29972SM-4-001     | 80367476 | smooth bore |

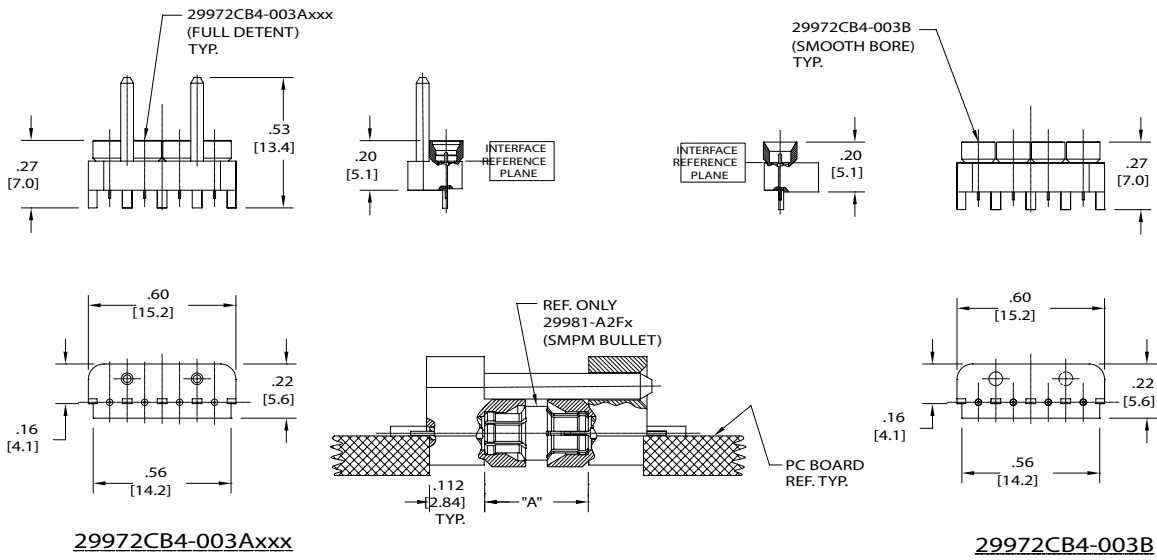
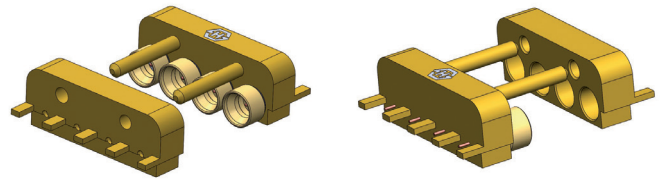
## Straight PCB plugs (male)



| HUBER+SUHNER type | Item no. | Detent      |
|-------------------|----------|-------------|
| 29972T1-2-155     | 80395469 | full        |
| 29972T1-4-155     | 80395470 | smooth bore |

# SMPM - edge mount connectors

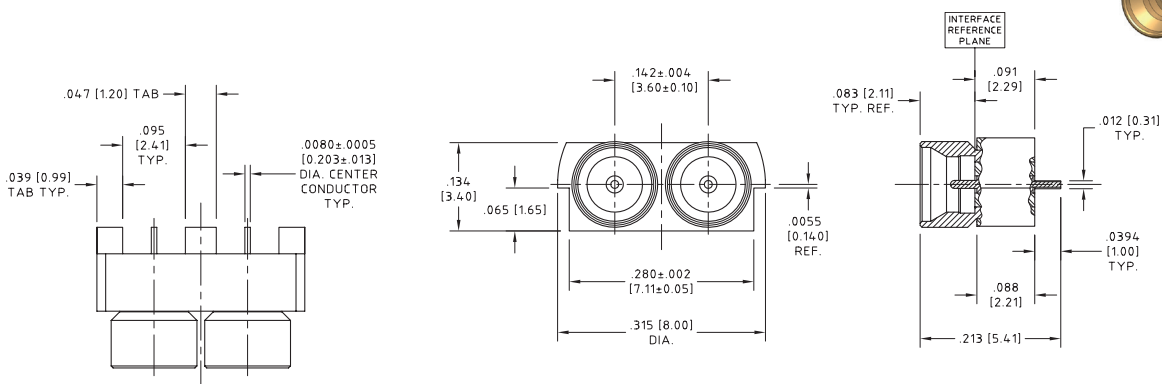
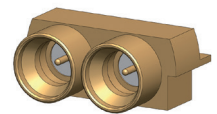
29972CB4-003A/B - edge mount



4 CHANNEL PC BOARD TO PC BOARD CONNECTOR BLOCKS WITH BULLET

| HUBER+SUHNER type | Item no. | Detent      |
|-------------------|----------|-------------|
| 29972CB4-003A     | 80351053 | full        |
| 29972CB4-003B     | 80351054 | smooth bore |

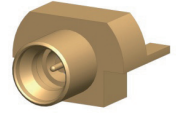
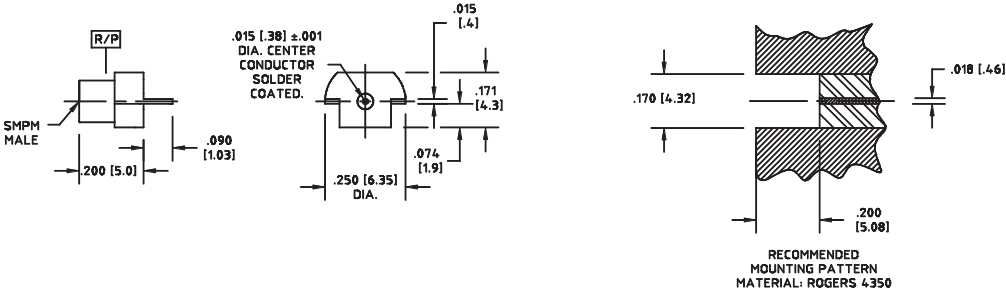
## Edge mount PCB plugs (male)



| HUBER+SUHNER type | Item no. | Detent      |
|-------------------|----------|-------------|
| 29972CB2-2-002    | 80376772 | full        |
| 29972CB2-4-002    | 80376773 | smooth bore |

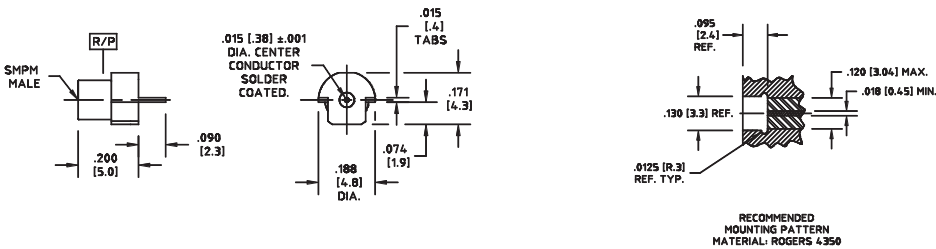
# SMMPM - edge mount connectors

## Edge mount PCB plugs (male)



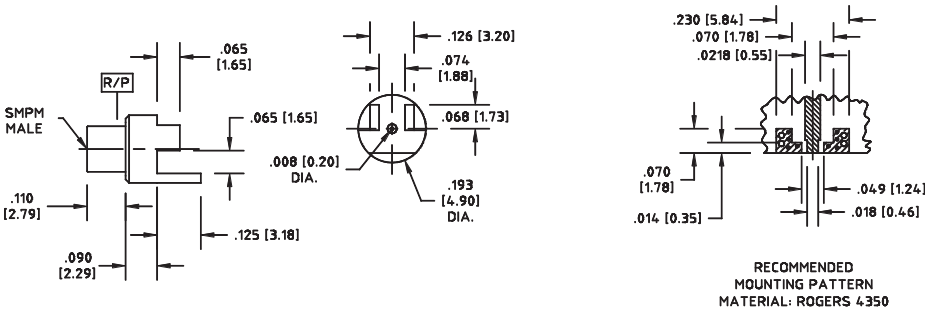
| HUBER+SUHNER type | Item no. | Detent      |
|-------------------|----------|-------------|
| 29972BM-2-002     | 80395471 | full        |
| 29972BM-4-002     | 80362691 | smooth bore |

## Edge mount PCB plugs (male)



| HUBER+SUHNER type | Item no. | Detent      |
|-------------------|----------|-------------|
| 29972BM-2-004     | 80395472 | full        |
| 29972BM-4-004     | 80395473 | smooth bore |

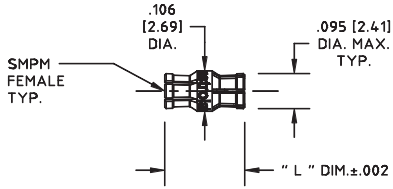
## Edge mount PCB plugs (male)



| HUBER+SUHNER type | Item no. | Detent      |
|-------------------|----------|-------------|
| 29972EM-2-001     | 80395474 | full        |
| 29972EM-4-001     | 80377148 | smooth bore |

# SMPM - adaptor

Adaptor jack/jack (female/female)



| HUBER+SUHNER type | Packaging  | Adaptor length L |  |
|-------------------|------------|------------------|--|
|                   |            | mm/in            |  |
| 29981-A2F1        | individual | 5.33/0.210       |  |
| 29981-A2F2        | individual | 12.7/0.500       |  |
| 29981-A2F3        | individual | 6.45/0.254       |  |
| 29981-A2F5        | individual | 8.483/0.334      |  |
| 29981-A2F6        | individual | 15.367/0.605     |  |
| 29981-A2F8        | individual | 11.303/0.445     |  |
| 29981-A2F11       | individual | 5.359/0.211      |  |

Note: Adaptors to other interfaces can be found in the section SMPM-T (page 112).  
The SMPM-T plug (male) to SK adaptors can also be used to connect SMPM.