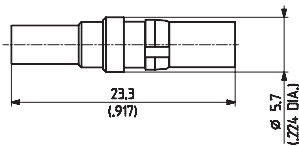


Series 1.0/2.3 - cable connectors

Straight cable plugs (male)

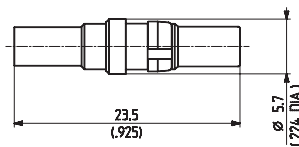
- HUBER+SUHNER full crimp
- Removal tool see page 546



HUBER+SUHNER type	Item no.	Cable group (example)	Packaging	Assembly instruction	Crimp insert	Plating
11_1023-C50-2-2/111_NE-1 ¹⁾	84148590	U4 (K_02252_D, ENVIROFLEX_316_D)	single	9191	1 A	SUCOPRO® gold plating
11_1023-C50-2-2/111_NE 11_1023-C50-2-2/111_NH	22648559 22649631		single bulk 100 pcs.			gold
11_1023-C50-2-3/111_NE 11_1023-C50-2-3/111_NH	22648780 22649007	U2 (RG_316_/U, ENVIROFLEX_316)	single bulk 100 pcs.			gold

Straight cable jacks (female)

- HUBER+SUHNER full crimp
- Removal tool see page 546

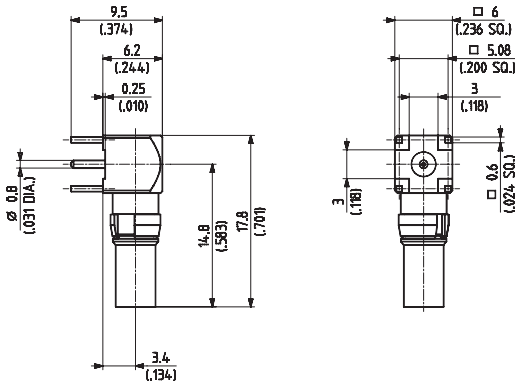


HUBER+SUHNER type	Item no.	Cable group (example)	Packaging	Assembly instruction	Crimp insert	Plating
21_1023-C50-2-2/111_NE	22648560	U4 (K_02252_D, ENVIROFLEX_316_D)	single	9191	1 A	gold
21_1023-C50-2-3/111_NE	22648790	U2 (RG_316_/U, ENVIROFLEX_316)				gold

Series 1.0/2.3 – PCB connectors

Right angle PCB jacks (female)

- Removal tool see page 546



HUBER+SUHNER type	Item no.	Packaging	Mounting hole	Plating
85_1023-C50-0-1/111_NE	22648561	single	ML 15	gold

¹⁾ Preferred type