

Series TNC 50 Ω - cable connectors

Straight cable plugs (male)

For semi-rigid cables

- Cable entry soldered
- Centre contact soldered



1 security holes Ø 1/.039 DIA

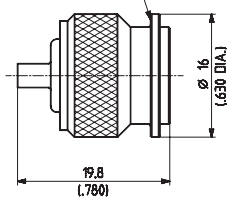


Fig. 1

3 security holes Ø 1/.039 DIA

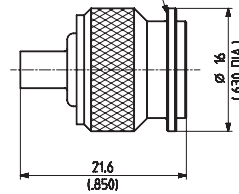


Fig. 2

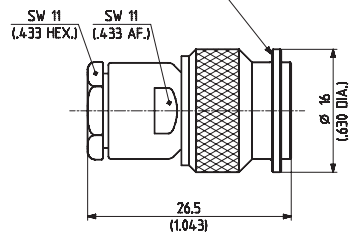
HUBER+SUHNER type	Item no.	Cable group (example)	Packaging	Assembly instruction	Fig.	Notes
11_TNC-50-2-20/103_NE ¹⁾	22642519	Y3, Y11, Y16 (EZ_86)	single	9100	1	
11_TNC-50-3-29/103_NE ¹⁾	22641997	Y5, Y12 (EZ_141)		9106	2	outer contact silver outer contact gold
11_TNC-50-3-29/113_NE ¹⁾	22544841					

For flexible cables

- Cable entry clamp
- Centre contact soldered



3 security holes Ø 1/.039 DIA.



HUBER+SUHNER type	Item no.	Cable group (example)	Packaging	Assembly instruction
11_TNC-50-2-1/133_NE	22640783	U2 (RG_316_/U, ENVIROFLEX_316)	single	3005
11_TNC-50-3-5/133_NE	22640798	U7, U9, U11 (RG_58_C/U, ENVIROFLEX_B58)		3005
11_TNC-50-3-6/133_NE ¹⁾	22543475	U7, U9, U11 (RG_58_C/U, ENVIROFLEX_B58)		3004

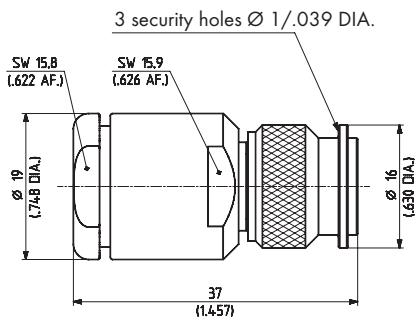
¹⁾ Centre contact NOT captivated

Series TNC 50 Ω - cable connectors

Straight cable plugs (male)

For flexible cables

- Cable entry clamp
- Centre contact soldered



HUBER+SUHNER type	Item no.	Cable group (example)	Packaging	Assembly instruction
11_TNC-50-7-2/133_NE	22640466	U29 (RG_213_/U, RADOX_RF_213) U32 (RG_214_/U, ENVIROFLEX_B214)	single	3008

For flexible cables

- HUBER+SUHNER full crimp
- Taper sleeves see page 554

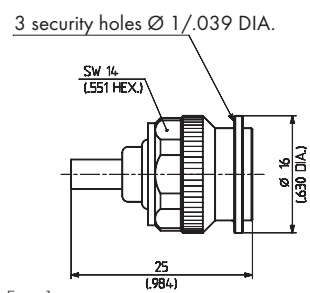


Fig. 1

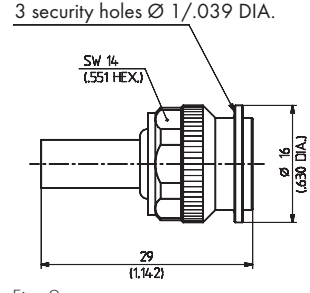


Fig. 2

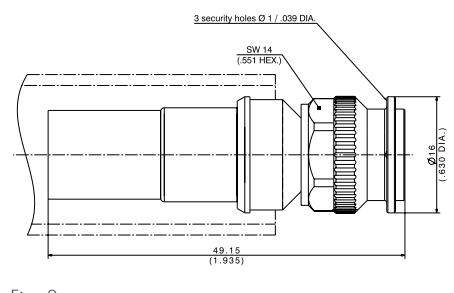


Fig. 3

HUBER+SUHNER type	Item no.	Cable group (example)	Packaging	Assembly instruction	Crimp insert	Fig.
11_TNC-50-2-112/133_NE	23001710	U2 (RG_316_/U, ENVIROFLEX_316)	single	27215	1 A	1
11_TNC-50-2-113/133_NE	23001711	U4 (K_02252_D, ENVIROFLEX_316_D)	single			
11_TNC-50-3-115/133_NE	23001712	U9, U39 (RG_223_/U, ENVIROFLEX_B223)	single bulk 100 pcs.	3015	2 B	2
11_TNC-50-3-116/133_NE	23001714	U7 (RG_58_C/U, ENVIROFLEX_B58)	single bulk 100 pcs.			
11_TNC-50-3-116/133_NH	23001715					
11_TNC-50-3-117/133_NE	23010015	U11, U41 (RG_400_/U, ENVIROFLEX_400)	single			
11_TNC-50-7-18/133_NE	84077868	U30, X32 (SPUMA_400, SPUMA_400-FR-01, SPUMA_400-RS-FR)	single	0000184567	4 D	3

Cable groups see page 32 Assembly tools see page 531 Mounting holes/PCB layouts see page 561

Series TNC 50 Ω - cable connectors

Straight cable plugs (male)

For flexible cables

- Cable entry crimp
- Centre contact plugged

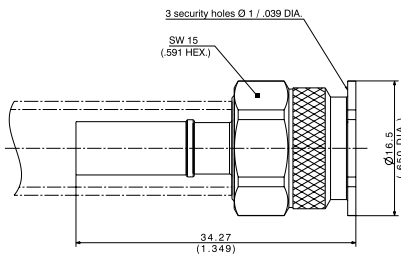


Fig. 1

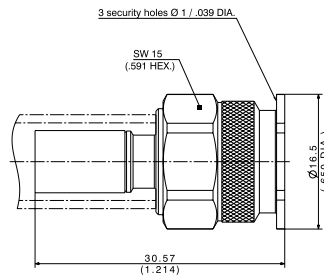


Fig. 2

HUBER+SUHNER type	Item no.	Cable group (example)	Packaging	Assembly instruction	Crimp insert	Fig.
11_TNC-50-3-120/133_NE	84010745	X27 (SPUMA_195, SPUMA_195-FR-01)	single	0000417754	B	1
11_TNC-50-4-77/133_NE	85010169	X28 (SPUMA_240, SPUMA_240-FR-01)		0000416857	C	2

Series TNC 50 Ω - cable connectors

Right angle cable plugs (male)

For flexible cables

- Cable entry clamp
- Centre contact soldered

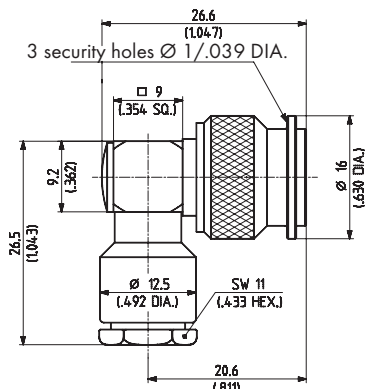


Fig. 1

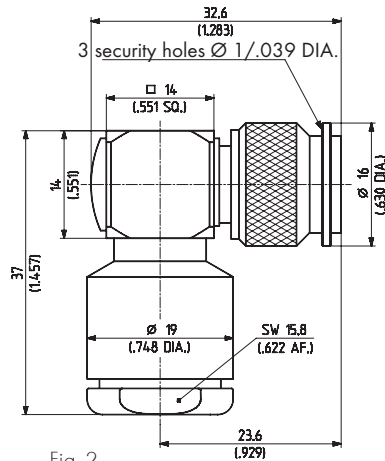
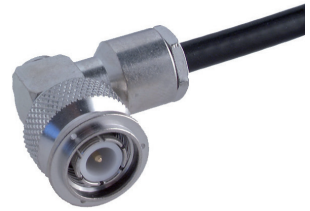


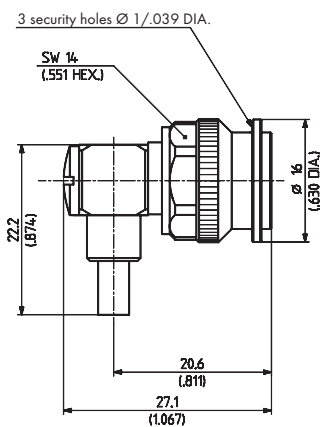
Fig. 2



HUBER+SUHNER type	Item no.	Cable group (example)	Packaging	Assembly instruction	Fig.
16_TNC-50-3-28/133_NE	84012481	U7, U9, U11 (RG 58_C/U, ENVIROFLEX_B58)	single	3024	1
16_TNC-50-7-4/133_NE	22651587	U29 (RG_213_/U, RADOX_RF_213) U32 (RG 214_/U, ENVIROFLEX_B214)	single	3003	2

For flexible cables

- Cable entry crimp
- Centre contact soldered
- Taper sleeves see page 554



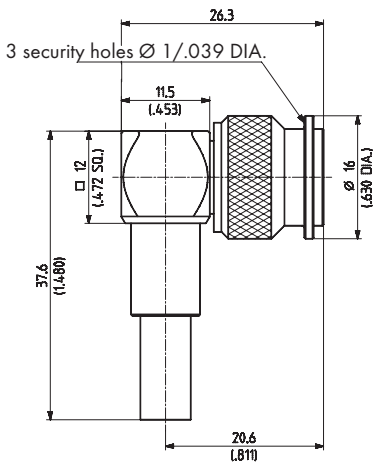
HUBER+SUHNER type	Item no.	Cable group (example)	Packaging	Assembly instruction	Crimp insert
16_TNC-50-2-119/133_NE	23010087	U2 (RG_316_/U, ENVIROFLEX_316)	single	27216	A
16_TNC-50-2-7/133_NE	23001716	U4 (K_02252_D, ENVIROFLEX_316_D)			

Series TNC 50 Ω - cable connectors

Right angle cable plugs (male)

For flexible cables

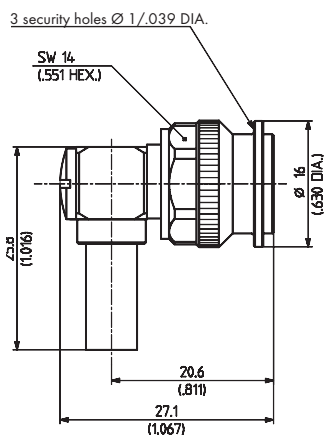
- HUBER+SUHNER full crimp
- Taper sleeves see page 554



HUBER+SUHNER type	Item no.	Cable group (example)	Packaging	Assembly instruction	Crimp insert
16_TNC-50-3-13/133_NE	22640492	U7 (RG_58_C/U, ENVIROFLEX_B58)	single	0000335265	2 B
16_TNC-50-3-18/133_NE	22543606	U9, U39 (RG_223_/U, ENVIROFLEX_B223)			

For flexible cables

- Cable entry crimp
- Centre contact soldered
- Taper sleeves see page 554



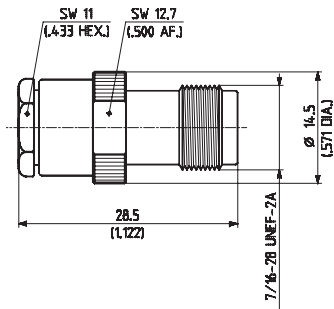
HUBER+SUHNER type	Item no.	Cable group (example)	Packaging	Assembly instruction	Crimp insert
16_TNC-50-3-111/133_NE	23001717	U9 (RG_223_/U, ENVIROFLEX_B223)	single	27218	B
16_TNC-50-3-112/133_NE	23010115	U7 (RG_58_C/U, ENVIROFLEX_B58)	single		

Series TNC 50 Ω - cable connectors

Straight cable jacks (female)

For flexible cables

- Cable entry clamp
- Centre contact soldered



HUBER+SUHNER type	Item no.	Cable group (example)	Packaging	Assembly instruction
21_TNC-50-2-2/133_NE	22640515	U2 (RG_316_/U, ENVIROFLEX_316)	single	3005
21_TNC-50-3-4/133_NE	22640523	U7, U9 (RG_58_C/U, ENVIROFLEX_B58)		

For flexible cables

- HUBER+SUHNER full crimp
- Taper sleeves see page 554

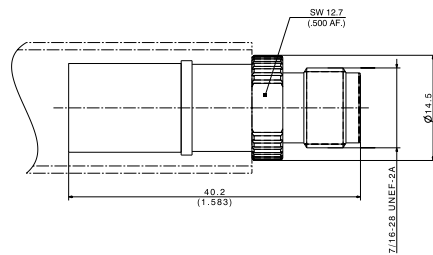
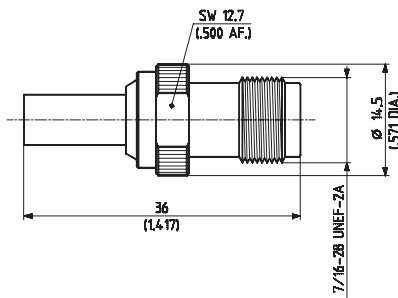


Fig. 1

Fig. 2

HUBER+SUHNER type	Item no.	Cable group (example)	Packaging	Assembly instruction	Crimp insert	Fig.
21_TNC-50-3-31/133_NE	84016544	U7 (RG_58_C/U, ENVIROFLEX_B58)	single	0000231215	2 B	1
21_TNC-50-3-32/133_NE	84016601	U9, U39 (RG_223_/U, ENVIROFLEX_B223)		0000231453		
21_TNC-50-7-1/133_NE	84128527	U30, X32 (SPUMA_400, SPUMA_400-FR-01, SPUMA_400-RS-FR)	single	0000345941	4 D	2

Series TNC 50 Ω - cable connectors

Straight bulkhead cable jacks (female)

For semi-rigid cables

- Cable entry soldered
- With panel seal
- Insulating washers see page 556

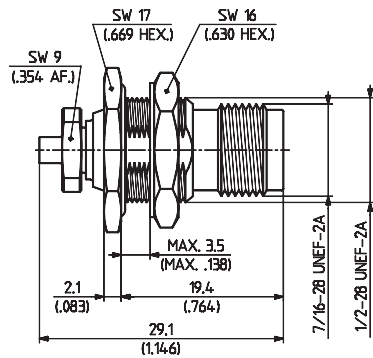


Fig. 1

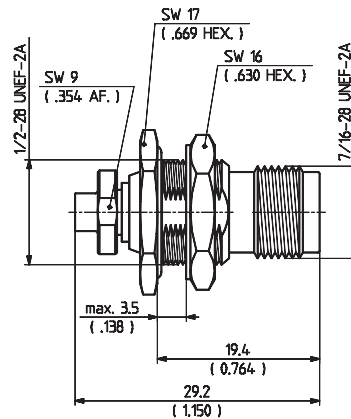


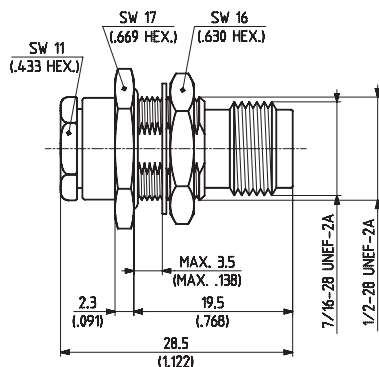
Fig. 2



HUBER+SUHNER type	Item no.	Cable group (example)	Packaging	Assembly instruction	Mounting hole	Fig.
24_TNC-50-2-31/133_NE ¹⁾	23001721	Y3, Y11 (EZ_86)	single	27269	ML 4	1
24_TNC-50-3-30/133_NH ¹⁾	23001723	Y5, Y12 (EZ_141)	bulk 100 pcs.	27220		2

For flexible cables

- Cable entry clamp
- Centre contact soldered
- With panel seal
- Insulating washers see page 556



HUBER+SUHNER type	Item no.	Cable group (example)	Packaging	Assembly instruction	Mounting hole
24_TNC-50-2-1/133_NE	22543398	U2 (RG_316_/U, ENVIROFLEX_316)	single	3005	ML 4

¹⁾ Centre contact NOT captivated.

Series TNC 50 Ω - cable connectors

Straight bulkhead cable jacks (female)

For flexible cables

- HUBER+SUHNER full crimp
- With panel seal
- Taper sleeves see page 554
- Insulating washers see page 556

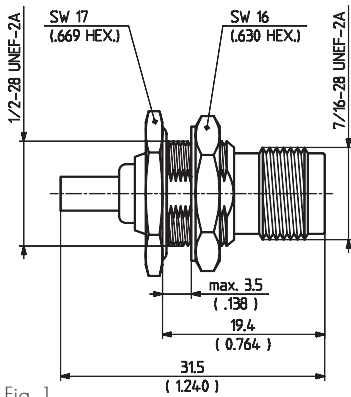


Fig. 1

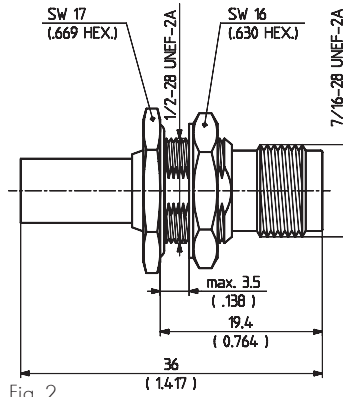


Fig. 2



HUBER+SUHNER type	Item no.	Cable group (example)	Packaging	Assembly instruction	Mounting hole	Crimp insert	Fig.
24_TNC-50-2-27/133_NE	23001719	U2 (RG_316_/U, ENVIROFLEX_316)	single	9068	ML 4	1 A	1
24_TNC-50-2-29/133_NH	23001720	U4 (K_02252_D, ENVIROFLEX_316_D)	bulk 100 pcs.				
24_TNC-50-3-21/133_NE	23001722	U9 (RG_223_/U, ENVIROFLEX_B223)	single	27221	ML 4	2 B	2
24_TNC-50-3-23/133_NE	23010150	U7 (RG_58_C/U, ENVIROFLEX_B58)	single				

For flexible cables

- Cable entry crimp
- Center contact plugged
- With panel seal
- Taper sleeves see page 554
- Insulating washers see page 556

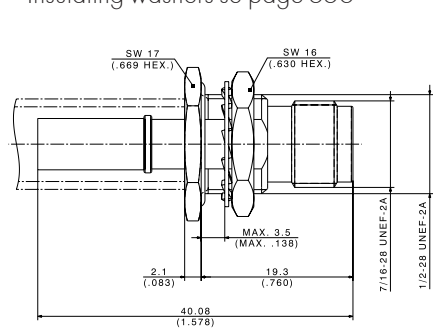


Fig. 1

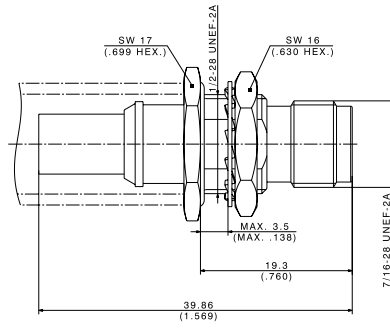


Fig. 2



HUBER+SUHNER type	Item no.	Cable group (example)	Packaging	Assembly instruction	Mounting hole	Crimp insert	Fig.
24_TNC-50-3-54/133_NE	84010762	X27 (SPUMA_195, SPUMA_195-FR-01)	single	0000417644	ML 4	B	1
24_TNC-50-4-77/133_NE	85010236	X28 (SPUMA_240, SPUMA_240-FR-01)		0000416856	ML 4	C	2

Cable groups see page 32

Assembly tools see page 531

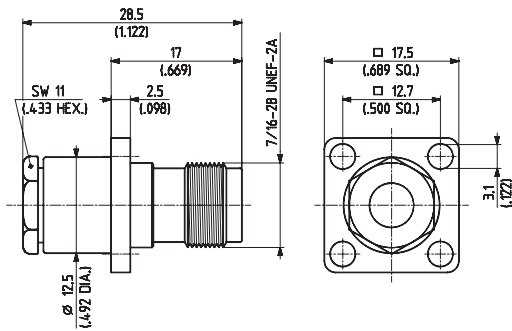
Mounting holes/PCB layouts see page 561

Series TNC 50 Ω - cable connectors

Straight panel cable jacks (female)

For flexible cables

- Cable entry clamp
- Center contact soldered



HUBER+SUHNER type	Item no.	Cable group (example)	Packaging	Assembly instruction	Mounting hole
25_TNC-50-2-1/133_NE	22640578	U2 (RG_316_/U, ENVIROFLEX_316)	single	3005	ML 8
25_TNC-50-3-9/133_NE	22643707	U7, U9 (RG_58_C/U, ENVIROFLEX_B58)			

For flexible cables

- HUBER+SUHNER full crimp
- Taper sleeves see page 554

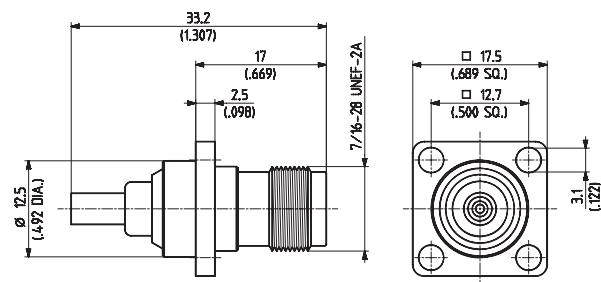


Fig. 1

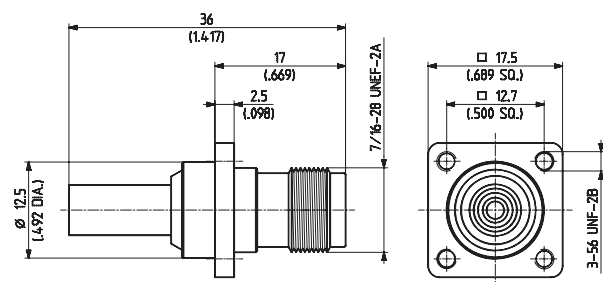


Fig. 2

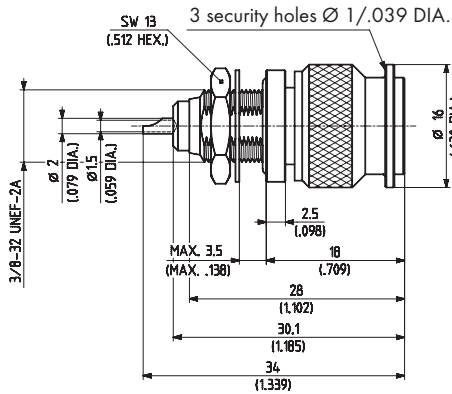
HUBER+SUHNER type	Item no.	Cable group (example)	Packaging	Mounting hole	Crimp insert	Fig.
25_TNC-50-2-19/133_NE	84016723	U2 (RG_316_/U, ENVIROFLEX_316)	single	ML 8	1 A	1
25_TNC-50-3-19/133_NE	84016722	U7 (RG_58_C/U, ENVIROFLEX_B58)			2 B	2 ¹⁾

¹⁾ Mounting also possible with screws ISO M 2.5

Series TNC 50 Ω - receptacles with solder end

Receptacles, plugs (male)

- Bulkhead mounted
- With panel seal
- Insulating washers see page 556
- Solder tags see page 557



HUBER+SUHNER type	Item no.	Packaging	Mounting hole
12_TNC-50-0-1/133_NE	22640467	single	ML 2

Receptacles, jacks (female)

- Bulkhead mounted
- Insulating washers see page 556
- Solder tags see page 557

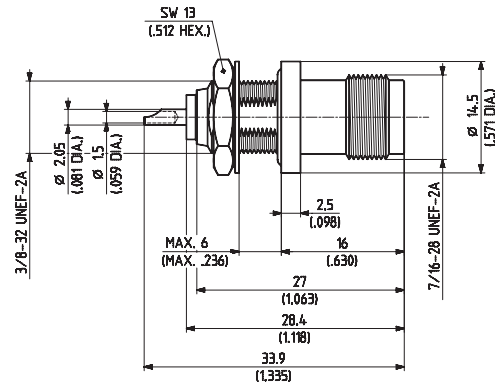


Fig. 1

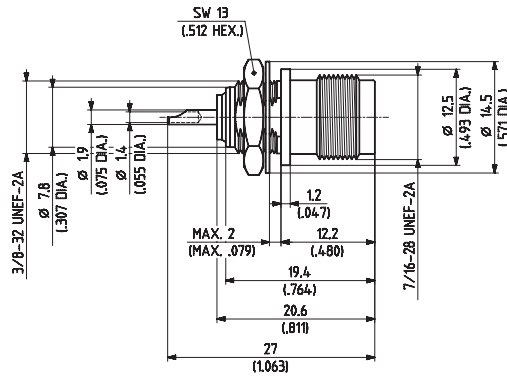
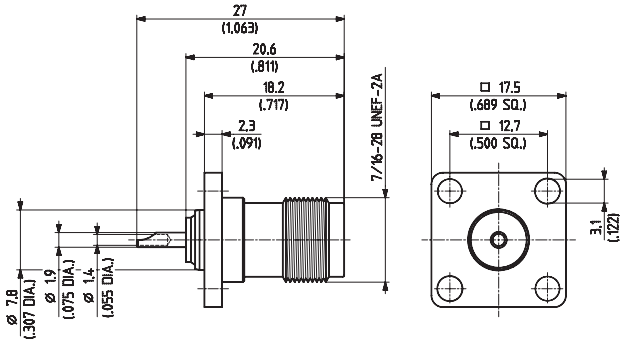


Fig. 2

HUBER+SUHNER type	Item no.	Packaging	Mounting hole	Fig.	Notes
22_TNC-50-0-1/133_NE	22640537	single	ML 1	1	with panel seal
22_TNC-50-0-2/133_NE	22640539		ML 2	2	

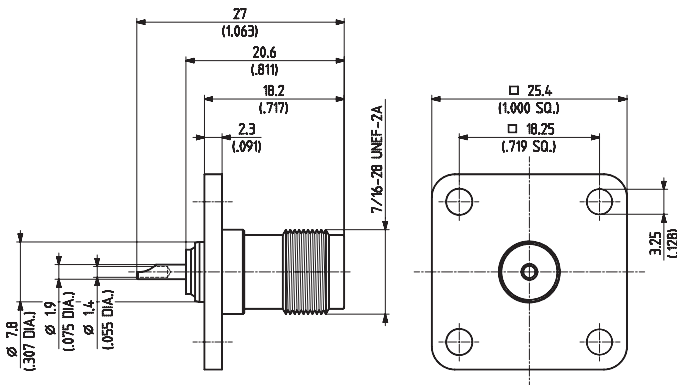
Series TNC 50 Ω – receptacles with solder end

- Panel mounted



HUBER+SUHNER type	Item no.	Packaging	Mounting hole
23_TNC-50-0-2/133_NE	22640549	single	ML 6
23_TNC-50-0-2/133_NH	22644322	bulk 100 pcs.	

- Panel mounted



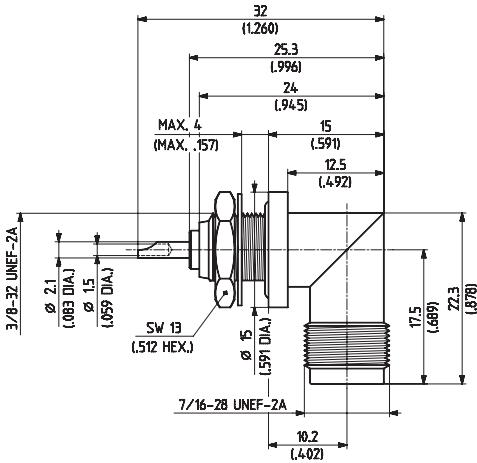
HUBER+SUHNER type	Item no.	Packaging	Mounting hole	Notes
23_TNC-50-0-6/133_NE	22640551	single	ML 5	suitable for Sucobox applications, see page 558

TNC 50 Ω

Series TNC 50 Ω - receptacles with solder end

Right angle receptacle, jack (female)

- Bulkhead mounted
- With panel seal
- Insulating washers see page 556
- Solder tags see page 557



HUBER+SUHNER type	Item no.	Packaging	Mounting hole
27_TNC-50-0-1/133 NE	22543405	single	ML 2

TNC 50 Ω

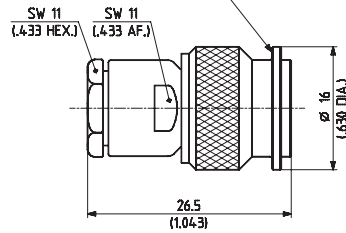
Series TNC 75 Ω – cable connectors

Straight cable plugs (male)

For flexible cables

- Cable entry clamp
- Centre contact soldered

3 security holes Ø 1/039 DIA.

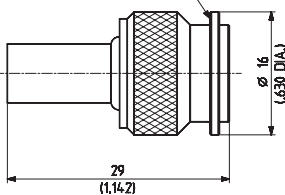


HUBER+SUHNER type	Item no.	Cable group (example)	Packaging	Assembly instruction
11_TNC-75-4-2/133_NE	22543477	U16 (RG_59_B/U, RADOX_RF_59)	single	3005

For flexible cables

- HUBER+SUHNER full crimp
- Taper sleeves see page 554

3 security holes Ø 1/039 DIA.



HUBER+SUHNER type	Item no.	Cable group (example)	Packaging	Assembly instruction	Crimp insert
11_TNC-75-4-4/133_NE	22543478	U16 (RG_59_B/U, RADOX_RF_59)	single	3015	2 C
11_TNC-75-4-30/133_NE	22642503	U17 (S_04233)			

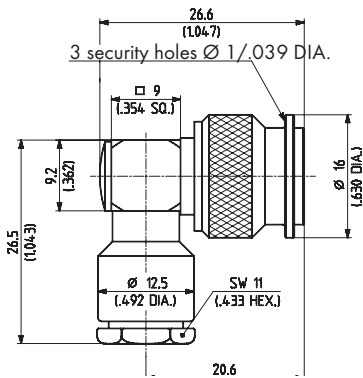
TNC75Ω

Series TNC 75 Ω - cable connectors

Right angle cable plugs (male)

For flexible cables

- Cable entry clamp
- Centre contact soldered

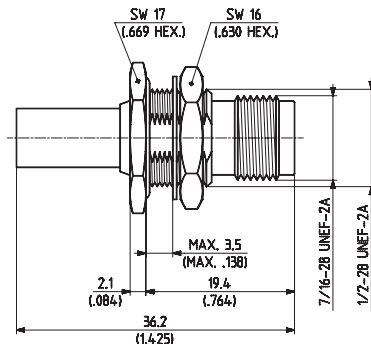


HUBER+SUHNER type	Item no.	Cable group (example)	Packaging	Assembly instruction
16_TNC-75-4-2/133_NE	22641402	U16 (RG_59_B/U, RADOX_RF_59)	single	3024

Straight bulkhead cable jacks (female)

For flexible cables

- HUBER+SUHNER full crimp
- With panel seal
- Taper sleeves see page 554
- Insulating washers see page 556



HUBER+SUHNER type	Item no.	Cable group (example)	Packaging	Assembly instruction	Mounting hole	Crimp insert
24_TNC-75-4-8/133_NE	22544140	U16 (RG_59_B/U, RADOX_RF_59)	single	3015	ML4	2 C